

MILLENNIUM

1375.6MALE/MASE + i

DESIGN

The MILLENNIUM range of attractive ergonomically-designed rotisseries, boasts a number of innovative features for increased functionality and are an ideal show-piece used throughout the world in hotels, restaurants and deli stores.

The electrical heating elements provide an even distribution of heat throughout the unit with 3 different heat settings - offering you the flexibility to cook as little or as much as you need.

Spits are driven by individual motors rotating at 2 ½ times per minute allowing meat or poultry to constantly baste itself, sealing in natural juices and cooking to perfection.

FEATURES

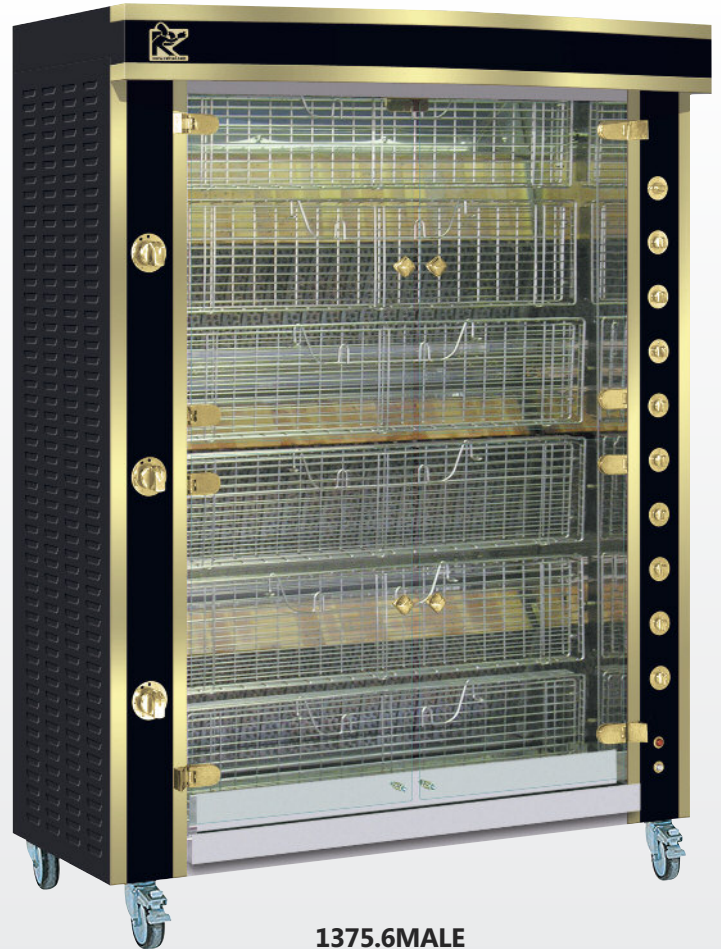
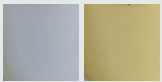
- Energy Efficient
- Independent motors
- 4 tempered glass doors
- Reinforced heating elements
- Equipped with bottom drip tray with drainage tap
- Powerful halogen lamp

FINISHES

Standard model in black enamel. A choice of other colours are available. Choses a colour scheme for Millenium.



With chrome or brass trims.









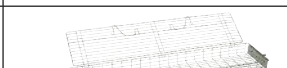


1375.6MALE

Black and brass finish



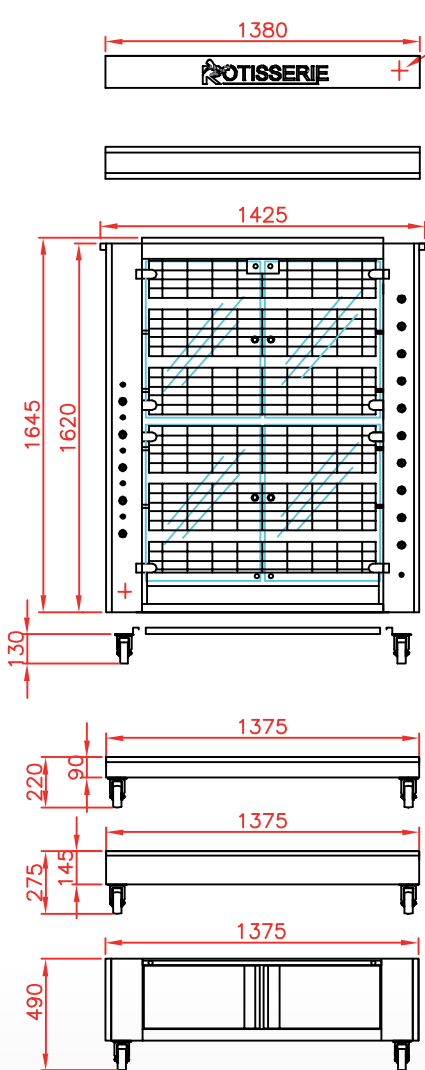
ACCESSORIES

A variety of accessories are available for the unit. Video of available [accessories](#) and video of [vertical spit system](#).

<p>CUI1375 Anti-cutting prongless spit.</p> 	<p>BP1375 Chicken spit.</p> 	<p>BRC1375 Basket spit.</p> 
<p>BS1375 Sabre spit for ham / turkey.</p> 	<p>BRRO1375 Roast-clamp spit.</p> 	<p>BA1375 Lamb/suckling-pig spit.</p> 
<p>BCR1375 Spatchcock chicken spit.</p> 	<p>GSV1375 Raised rack for meat storage.</p> 	<p>PID1375 Stainless steel tray to unspit.</p> 

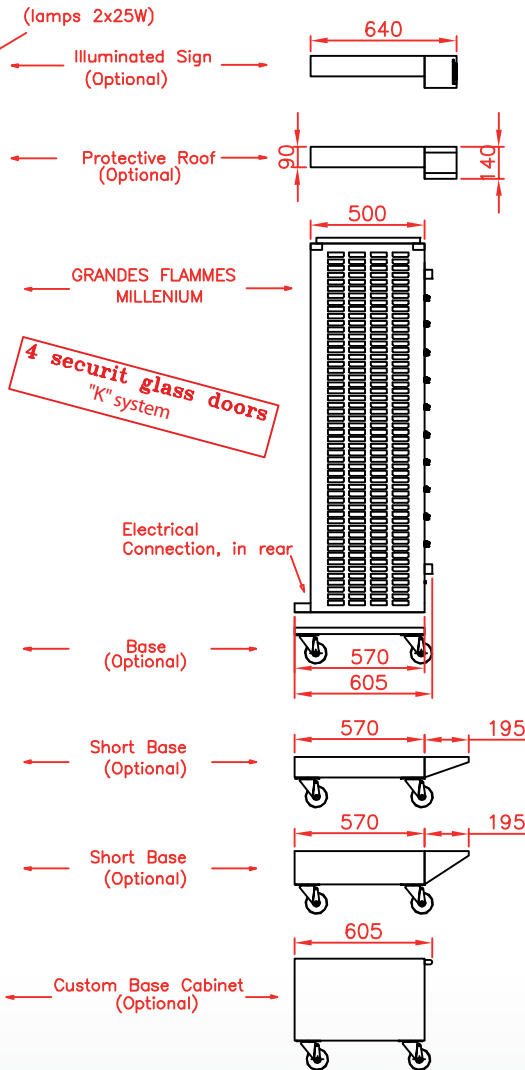
Front view

Rotisserie with roof (optional)
and base on casters (optional)



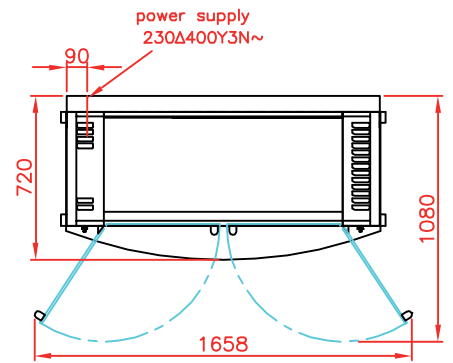
Side view

Rotisserie with roof (optional)
and base on casters (optional)



Top view

Rotisserie with roof (optional)
and base on casters (optional)



1375.6MASE
Stainless steel finish



SPECIFICATIONS

Electricity	400 V 3 phases + neutral + earth 34.7 kW
Electrical connection	wire length 2 meters
Capacity	24/30 open poultries (depending on size)
Warranty	1 year on parts (excluding glass doors)
Extraction	Compulsory
Minimum clearance	16 cm on the left and right, 5 cm at the rear
Weight	235 kg without packing

Revised : December 2015

DISTRIBUTOR / AGENT

Rotisol S.A.S.

Zone industrielle La Trentaine, Avenue Gustave Eiffel
77507 Chelles cedex - FRANCE
s.bennell@rotisol.com - Tel : +33 1 64 21 80 00
www.rotisol.com

