

# MILLENNIUM

## 1375.8MLE/MSE + i

### DESIGN

The MILLENNIUM range of attractive ergonomically-designed rotisseries, boasts a number of innovative features for increased functionality and are an ideal show-piece used throughout the world in hotels, restaurants and deli stores.

The electrical heating elements provide an even distribution of heat throughout the unit with 3 different heat settings - offering you the flexibility to cook as little or as much as you need.

Spits are driven by individual motors rotating at 2 ½ times per minute allowing meat or poultry to constantly baste itself, sealing in natural juices and cooking to perfection.

### FEATURES

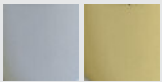
- Energy Efficient
- Independent motors
- 4 tempered glass doors
- Reinforced heating elements
- Equipped with bottom drip tray with drainage tap
- Powerful halogen lamp

### FINISHES

Standard model in black enamel. A choice of other colours are available. Choses a colour scheme for Millenium.



With chrome or brass trims.









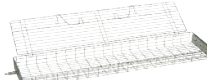


**1375.8MLE**

Black and brass finish



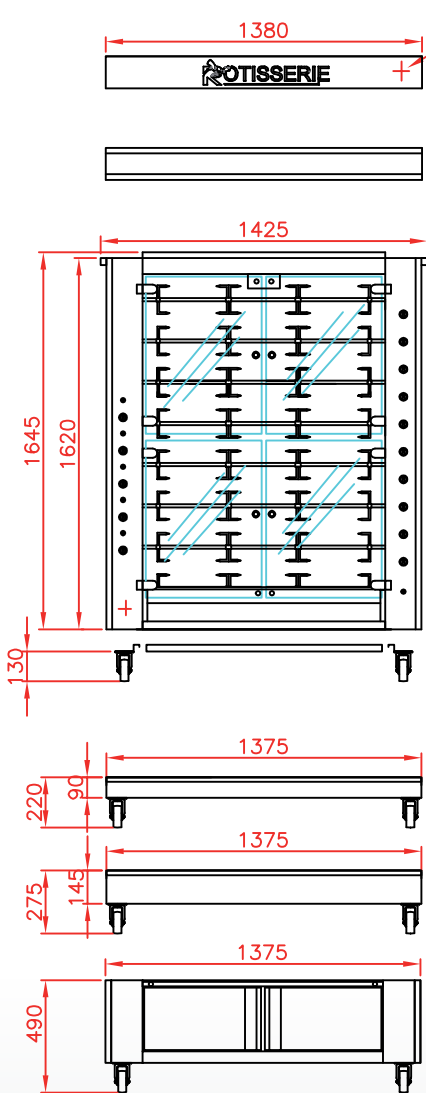
### ACCESSORIES

A variety of accessories are available for the unit. Video of available [accessories](#) and video of [vertical spit system](#).

<b>CUI1375</b> Anti-cutting prongless spit. 	<b>BP1375</b> Chicken spit. 	<b>BRC1375</b> Basket spit. 
<b>BS1375</b> Sabre spit for ham / turkey. 	<b>BRRO1375</b> Roast-clamp spit. 	<b>BA1375</b> Lamb/suckling- pig spit. 
<b>BCR1375</b> Spatchcock chicken spit. 	<b>GSV1375</b> Raised rack for meat storage. 	<b>PID1375</b> Stainless steel tray to unspit. 

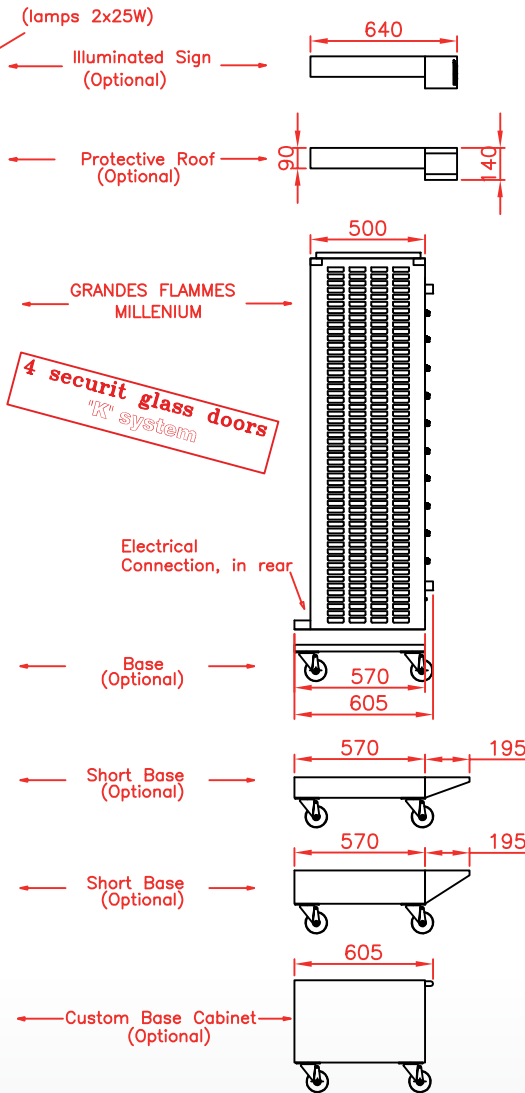
### Front view

Rotisserie with roof (optional) and base on casters (optional)



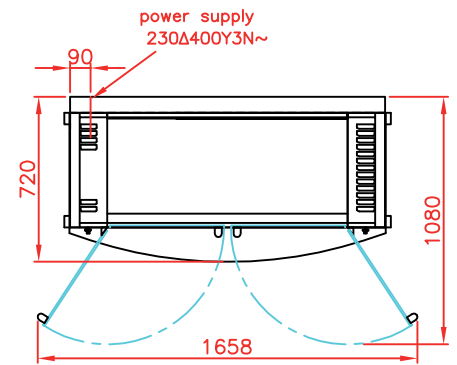
### Side view

Rotisserie with roof (optional) and base on casters (optional)



### Top view

Rotisserie with roof (optional) and base on casters (optional)



**1375.8MSE**

Stainless steel finish



## SPECIFICATIONS

<b>Electricity</b>	400 V 3 phases + neutral + earth 33.2 kW
<b>Electrical connection</b>	wire length 2 meters
<b>Capacity</b>	40/48 poultries (depending on size)
<b>Warranty</b>	1 year on parts (excluding glass doors)
<b>Extraction</b>	Compulsory
<b>Minimum clearance</b>	16 cm on the left and right, 5 cm at the rear
<b>Weight</b>	240 kg without packing

Revised : December 2015

DISTRIBUTOR / AGENT

### Rotisol S.A.S.

Zone industrielle La Trentaine, Avenue Gustave Eiffel

77507 Chelles cedex - FRANCE

[s.bennell@rotisol.com](mailto:s.bennell@rotisol.com) - Tel : +33 1 64 21 80 00

[www.rotisol.com](http://www.rotisol.com)