

MILLENIUM

1675.8MLE/MSE + i

DESIGN

The MILLENIUM range of attractive ergonomically-designed rotisseries, boasts a number of innovative features for increased functionality and are an ideal show-piece used throughout the world in hotels, restaurants and deli stores.

The electrical heating elements provide an even distribution of heat throughout the unit with 3 different heat settings - offering you the flexibility to cook as little or as much as you need.

Spits are driven by individual motors rotating at 2 ½ times per minute allowing meat or poultry to constantly baste itself, sealing in natural juices and cooking to perfection.

FEATURES

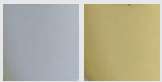
- Energy Efficient
- Independent motors
- 4 tempered glass doors
- Reinforced heating elements
- Equipped with bottom drip tray with drainage tap
- Powerful halogen lamp

FINISHES

Standard model in black enamel. A choice of other colours are available. Choses a colour scheme for Millenium.












With chrome or brass trims.



ACCESSORIES

A variety of accessories are available for the unit. Video of available [accessories](#) and video of [vertical spit system](#).

| | | |
|--|--|---|
| CUI1675 Anti-cutting prongless spit.  | BP1675 Chicken spit.  | BRC1675 Basket spit.  |
| BS1675 Sabre spit for ham / turkey.  | BRRO1675 Roast-clamp spit.  | BA1675 Lamb/suckling-pig spit.  |
| GCP1675 Spare rib rack.  | GSV1675 Raised rack for meat storage.  | PID1675 Stainless steel tray to unspit.  |



1675.8MLE

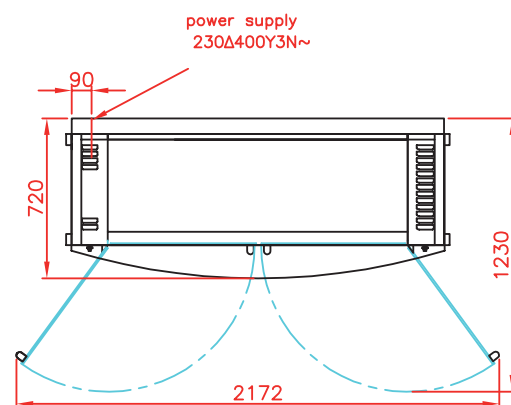
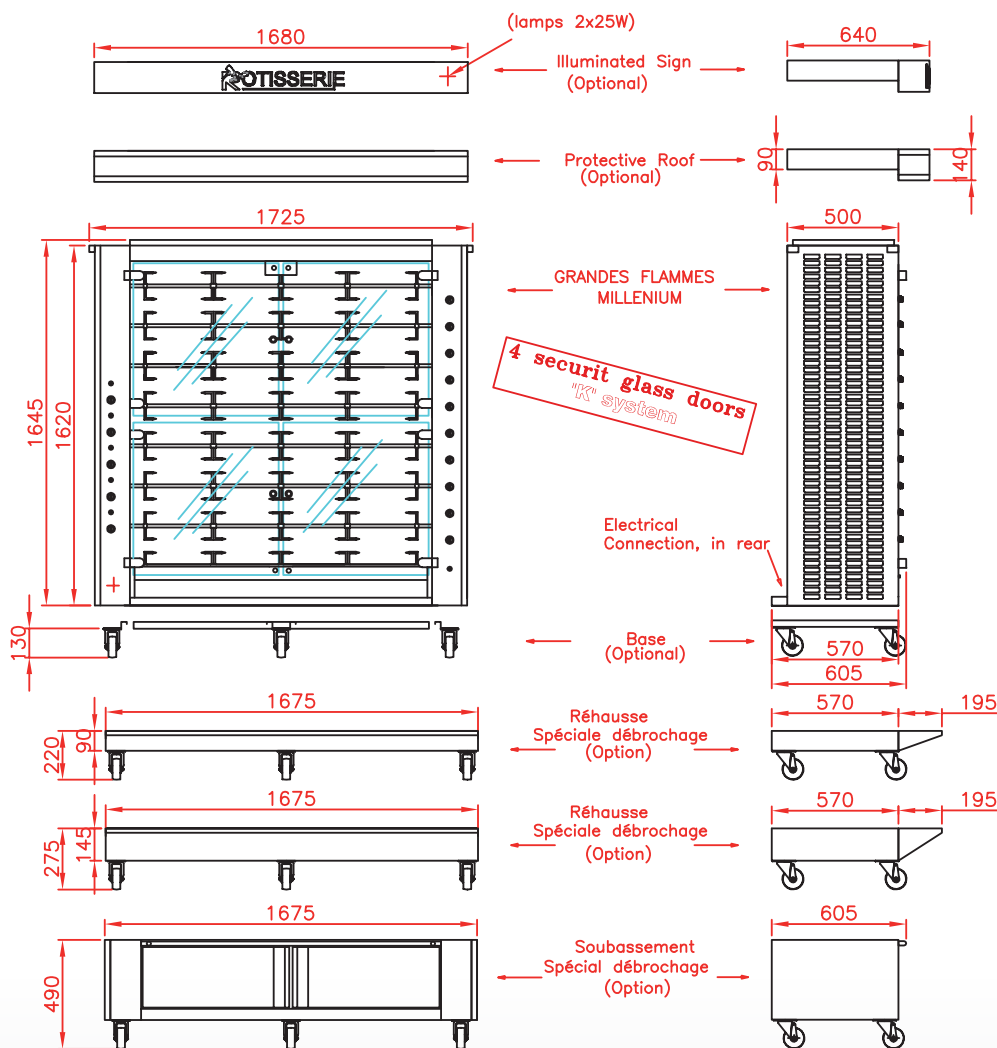
Black and brass finish



Front view
Rotisserie with roof (optional)
and base on casters (optional)

Side view
Rotisserie with roof (optional)
and base on casters (optional)

Top view
Rotisserie with roof (optional)
and base on casters (optional)



1675.8MSE

Stainless steel finish



SPECIFICATIONS

| | |
|------------------------------|---|
| Electricity | 400 V 3 phases + neutral + earth 38.4 kW |
| Electrical connection | wire length 2 meters |
| Capacity | 56/64 poultries (depending on size) |
| Warranty | 1 year on parts (excluding glass doors) |
| Extraction | Compulsory |
| Minimum clearance | 27 cm on the left and right, 5 cm at the rear |
| Weight | 280 kg without packing |

Revised : December 2015

DISTRIBUTOR / AGENT

Rotisol S.A.S.

Zone industrielle La Trentaine, Avenue Gustave Eiffel

77507 Chelles cedex - FRANCE

s.bennell@rotisol.com - Tel : +33 1 64 21 80 00

www.rotisol.com