

MILLENNIUM

1675.8MLG/MSG + i

DESIGN

The MILLENIUM range of attractive ergonomically-designed rotisseries, boasts a number of innovative features for increased functionality and are an ideal show-piece used throughout the world in hotels, restaurants and deli stores.

The naked flame from Rotisol's patented burners lick the cast iron hearth creating a spectacular visual, whilst being safe and simple to operate and easy to clean. Spits are driven by individual motors rotating at 2 ½ times per minute allowing meat or poultry to constantly baste itself, sealing in natural juices and cooking to perfection.

FEATURES

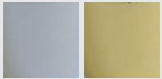
- Energy Efficient
- Independent motors
- 4 tempered glass doors
- Safety with installed thermocouple
- Equipped with bottom drip tray with drainage tap
- Powerful halogen lamp.

FINISHES

Standard model in black enamel. A choice of other colours are available. Choses a colour scheme for Millenium.












With chrome or brass trims.



ACCESSORIES

A variety of accessories are available for the unit. Video of available [accessories](#) and video of [vertical spit system](#).

CUI1675 Anti-cutting prongless spit.		BP1675 Chicken spit.		BRC1675 Basket spit.	
BS1675 Sabre spit for ham / turkey.		BRRO1675 Roast-clamp spit.		BA1675 Lamb/suckling- pig spit.	
GCP1675 Spare rib rack.		GSV1675 Raised rack for meat storage.		PID1675 Stainless steel tray to unspit.	



1675.8MLG

Black and brass finish



Front view

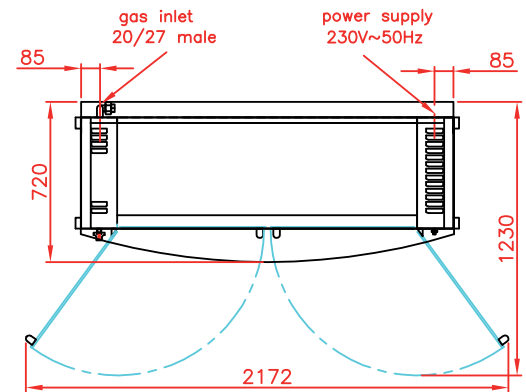
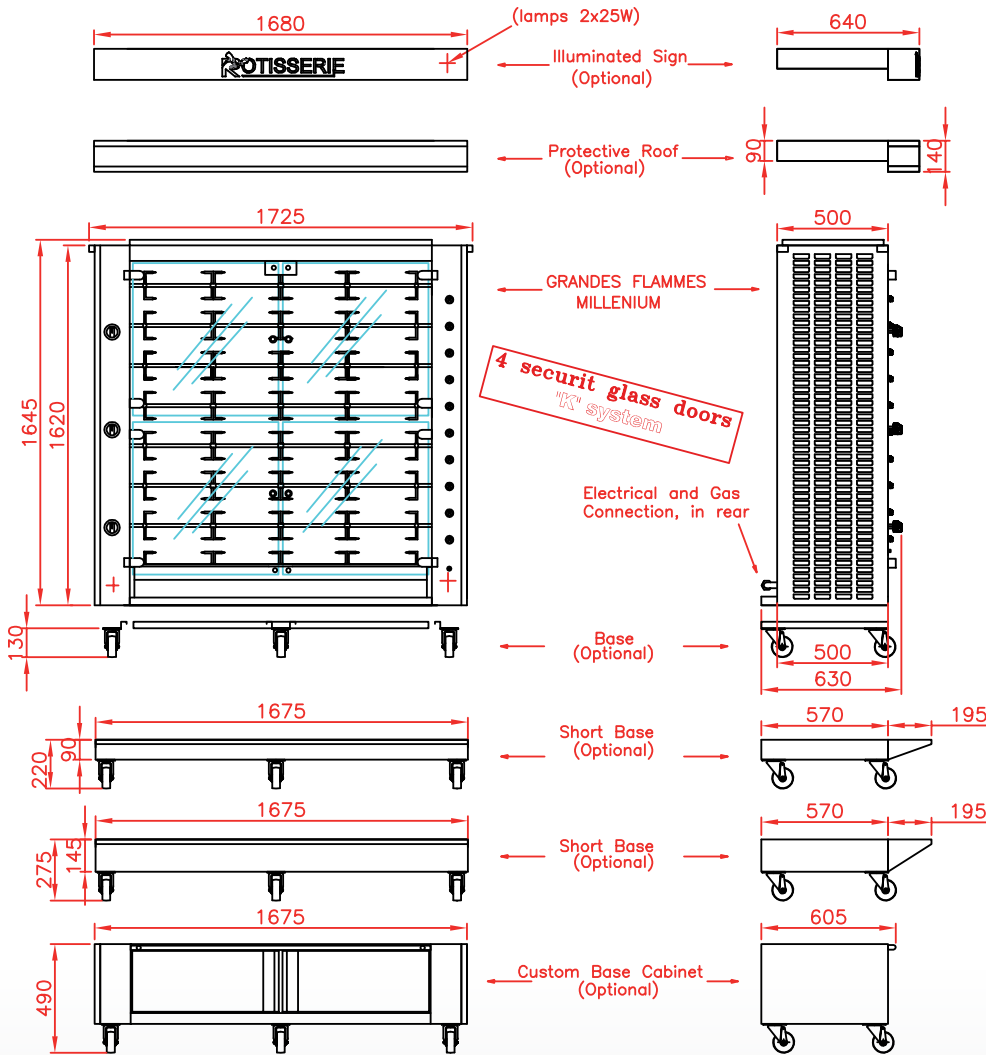
Rotisserie with roof (optional) and base on casters (optional)

Side view

Rotisserie with roof (optional) and base on casters (optional)

Top view

Rotisserie with roof (optional) and base on casters (optional)



1675.8MSG

Stainless steel finish



SPECIFICATIONS

Gas Power	51 kW
Gas consumption	Natural gas : 5.4 m ³ /h ; Propane : 3.96 kg/h
Gas connection	20/27 male
Electricity	230 V 50/60 Hz + earth 0.69 kW
Capacity	56/64 poultries (depending on size)
Warranty	1 year on parts (excluding glass doors)
Extraction	Compulsory
Minimum clearance	27 cm on the left and right, 5 cm at the rear
Weight	350 kg without packing

Revised : December 2015

DISTRIBUTOR / AGENT

Rotisol S.A.S.

Zone industrielle La Trentaine, Avenue Gustave Eiffel

77507 Chelles cedex - FRANCE

s.bennell@rotisol.com - Tel : +33 1 64 21 80 00

www.rotisol.com