



PERFORMANCES 1160.6PAG/PAiG

DESIGN

The PERFORMANCES range of rotisseries have been especially designed for volume cooking with high output, speed and cooking quality.

Well designed, user friendly and reliable the PERFORMANCES is used by leading supermarkets and chain restaurants throughout the world.

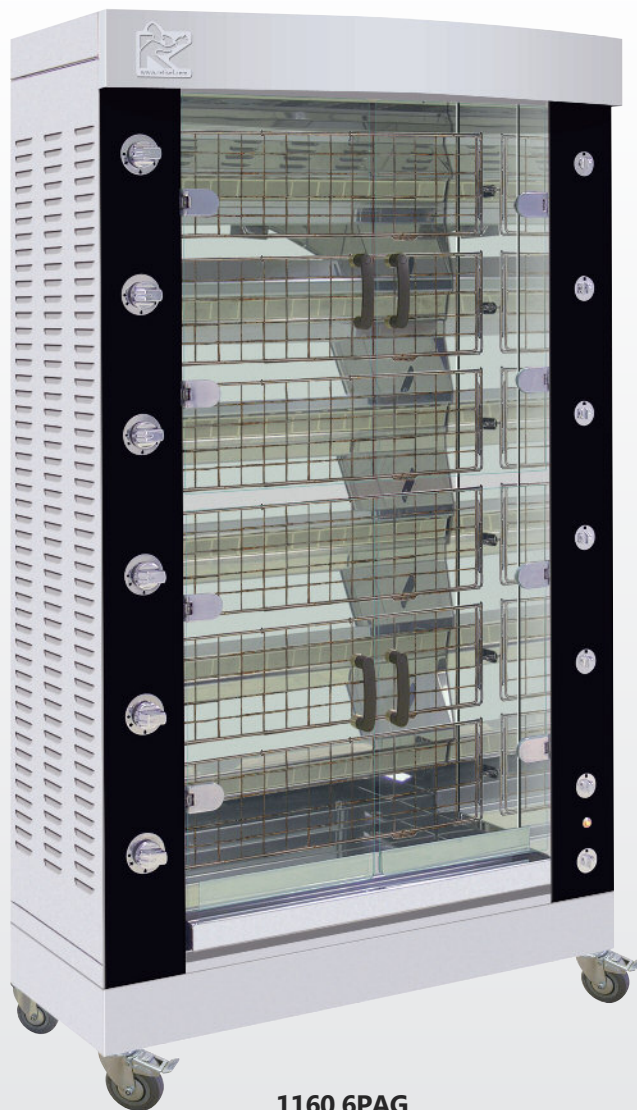
Conscious of the cost involved for our clients, the PERFORMANCES rotisserie has energy saving infrared burners, patented by Rotisol, that enables the rapid roasting of a variety of products.

FEATURES

- Independent motors
- Optional lighting
- Removable inner side panels for cleaning
- Independent infrared burners with interchangeable ceramic bricks
- 4 tempered glass doors
- Optional personalised removable roof signage
- Equipped with bottom drip tray with drainage tap

FINISHES

Standard model in finished STAINLESS STEEL. A choice of front coloured panels are available.



1160.6PAG

Black front panels and stainless steel finish



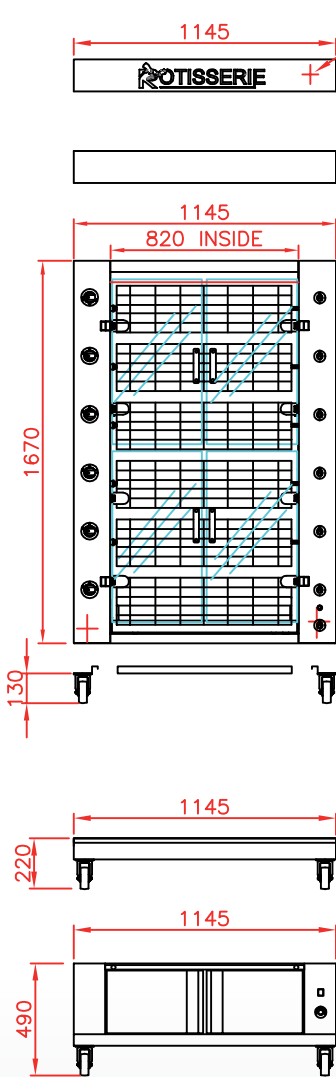
ACCESSORIES

A variety of accessories are available for the unit. Video of available [accessories](#) and video of [vertical spit system](#).

CUI1160 Anti-cutting prongless spit.		BP1160 Chicken spit.		BRC1160 Basket spit.	
BS1160 Sabre spit for ham / turkey.		BRRO1160 Roast-clamp spit.		BA1160 Lamb/suckling- pig spit.	
BCR1160 Spatchcock chicken spit.		DEC Spit mover.		AT Gas lighter.	

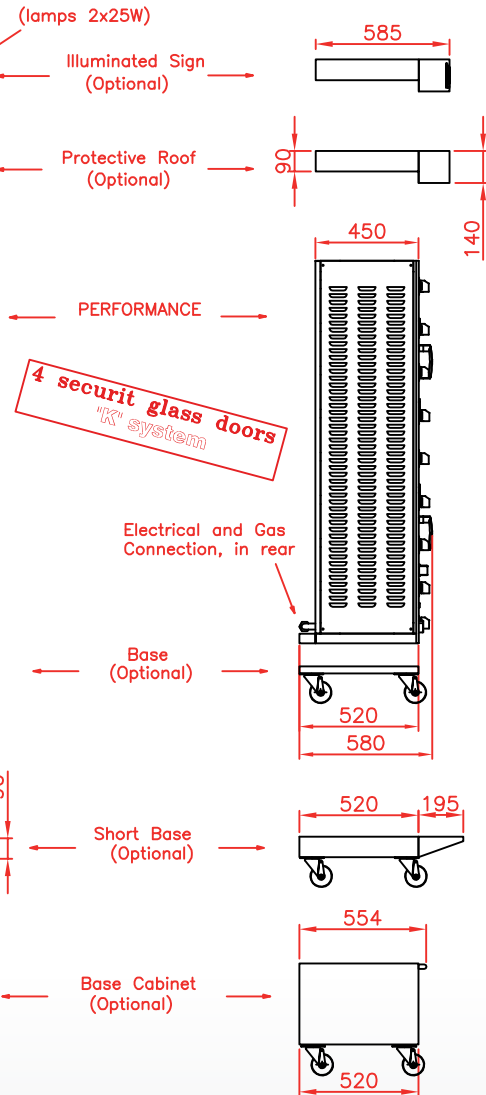
Front view

Rotisserie with roof (optional) and base on casters (optional)



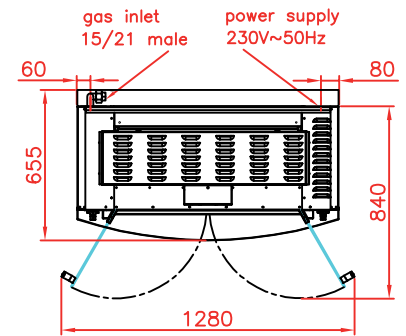
Side view

Rotisserie with roof (optional) and base on casters (optional)



Top view

Rotisserie with roof (optional) and base on casters (optional)



1160.6PAiG

Stainless steel finish



SPECIFICATIONS

Gas Power	22.5 kW
Gas consumption	Natural gas : 2.25 m ³ /h ; Propane : 1.74 kg/h
Gas connection	20/27 male
Electricity	230 V 50/60 Hz + earth 0.53 kW
Capacity	18/24 open poultries (depending on size)
Warranty	1 year on parts (excluding glass doors)
Extraction	Compulsory
Minimum clearance	10 cm on the left and right, 5 cm at the rear
Weight	170 kg without packing

Revised : December 2015

DISTRIBUTOR / AGENT

Rotisol S.A.S.

Zone industrielle La Trentaine, Avenue Gustave Eiffel

77507 Chelles cedex - FRANCE

s.bennell@rotisol.com - Tel : +33 1 64 21 80 00

www.rotisol.com