



### PERFORMANCES

1400.8PE/PiE

#### DESIGN

The PERFORMANCES range of rotisseries have been especially designed for volume cooking with high output, speed and cooking quality.

Well designed, user friendly and reliable the PERFORMANCES is used by leading supermarkets and chain restaurants throughout the world.

The electrical heating elements provide an even distribution of heat throughout the unit - enabling fast batch cooking of poultry (1.2 kg) in an hour .

#### FEATURES

- Independent motors
- Optional lighting
- Removable inner side panels for cleaning
- Powerful reinforced electrical heating elements
- 4 tempered glass doors
- Optional personalised removable roof signage
- Equipped with bottom drip tray with drainage tap

#### FINISHES

Standard model in finished STAINLESS STEEL. A choice of front coloured panels are available.



1400.8PE

Black front panels and stainless steel finish



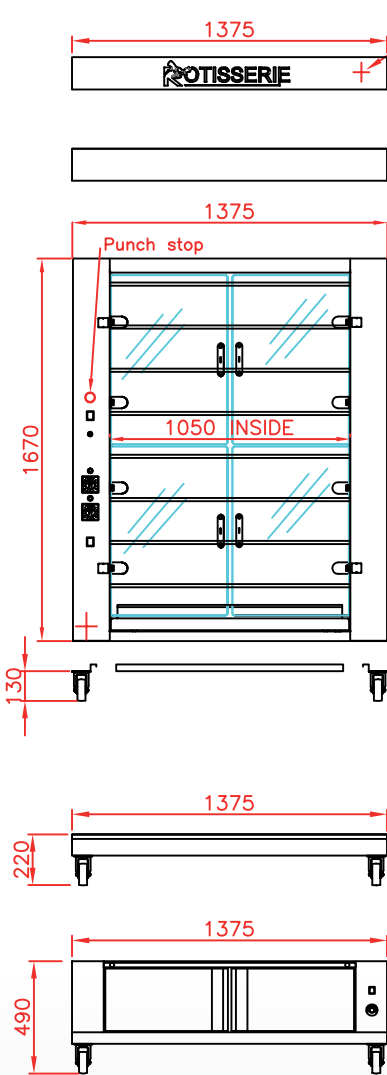
#### ACCESSORIES

A variety of accessories are available for the unit. Video of available [accessories](#) and video of [vertical spit system](#).

<b>CUI1400</b> Anti-cutting prongless spit.		<b>BP1400</b> Chicken spit.		<b>BRC1400</b> Basket spit.	
<b>BS1400</b> Sabre spit for ham / turkey.		<b>BRRO1400</b> Roast-clamp spit.		<b>BA1400</b> Lamb/suckling-pig spit.	
<b>BCR1400</b> Spatchcock chicken spit.		<b>DEC</b> Spit mover.		<b>AT</b> Gas lighter.	

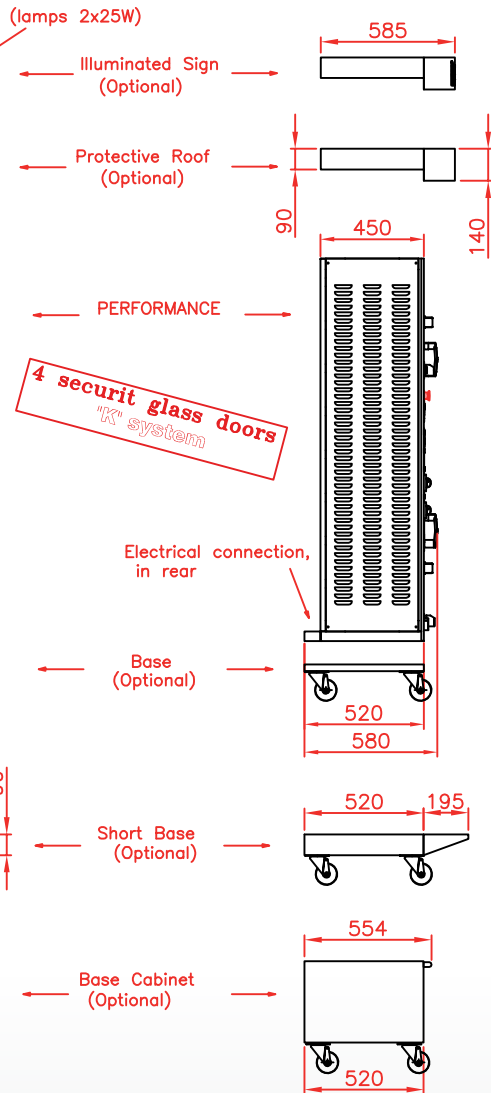
### Front view

Rotisserie with roof (optional) and base on casters (optional)



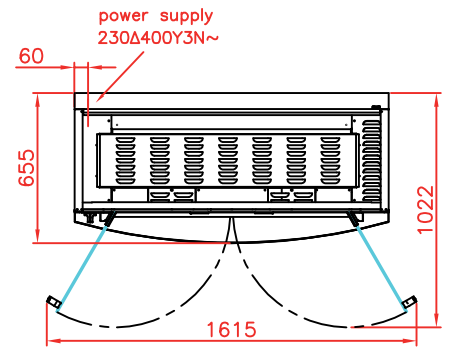
### Side view

Rotisserie with roof (optional) and base on casters (optional)



### Top view

Rotisserie with roof (optional) and base on casters (optional)



**1400.8PiE**  
Stainless steel finish



## SPECIFICATIONS

Electricity	400 V 3 phases + neutral + earth 34.6 kW
Electrical connection	wire length 2 meters
Capacity	40/48 poultries (depending on size)
Warranty	1 year on parts (excluding glass doors)
Extraction	Compulsory
Minimum clearance	15 cm on the left and right, 5 cm at the rear
Weight	240 kg without packing

Revised : December 2015

DISTRIBUTOR / AGENT

### Rotisol S.A.S.

Zone industrielle La Trentaine, Avenue Gustave Eiffel  
77507 Chelles cedex - FRANCE  
[s.bennell@rotisol.com](mailto:s.bennell@rotisol.com) - Tel : +33 1 64 21 80 00  
[www.rotisol.com](http://www.rotisol.com)