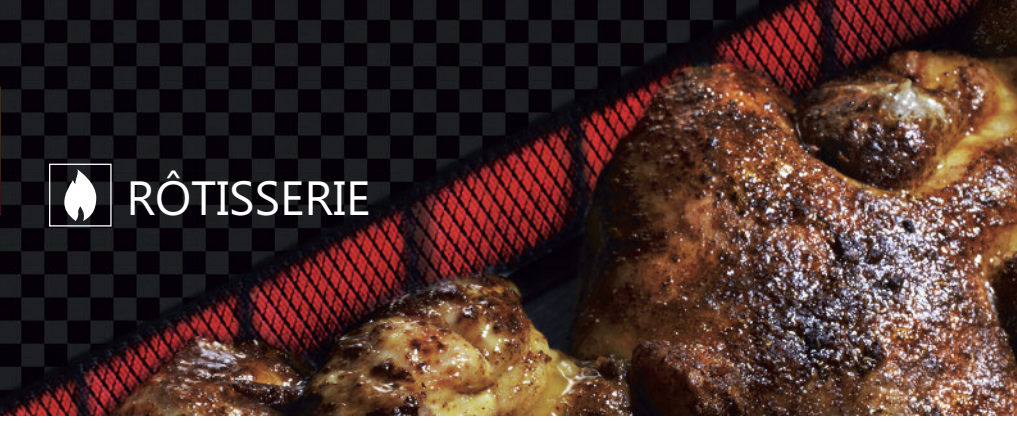




RÔTISSERIE

SPECIAL-MARKET

1425.4SMG/SMiG



DESIGN

The SPECIAL MARKET range of rotisseries have been designed with performance, practicality and mobility in mind. Light weight and compact they are the ideal rotisserie for markets and food trucks and offer a rapid output together with cooking quality.

Conscious of the cost involved for our clients, the SPECIAL MARKET rotisserie has energy saving infrared burners, patented by Rotisol, that enables the rapid roasting of a variety of products.

FEATURES

- ❑ Independent motors
- ❑ Spits with Bakelite handles
- ❑ Optional lighting
- ❑ Independent infrared burners with interchangeable ceramic bricks
- ❑ 2 tempered glass doors (removable for transport)
- ❑ Optional personalised removable roof signage
- ❑ Equipped with bottom drip tray with drainage tap

FINISHES

Standard model in finished STAINLESS STEEL. A choice of front coloured panels are available



1425.4SMG

Black front panels and stainless steel finish



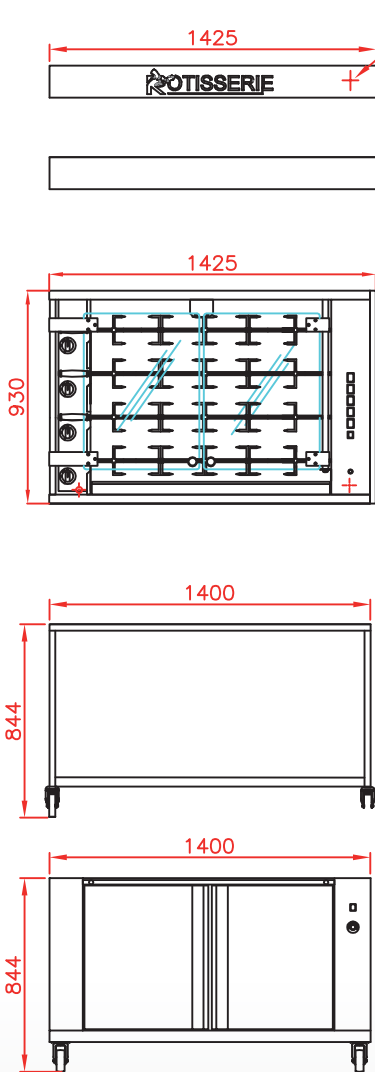
ACCESSORIES

A variety of accessories are available for the unit. Video of available [accessories](#).

| | | | | | |
|--|--|---|--|--|--|
| CUI1425 Anti-cutting prongless spit. | | BP1425 Chicken spit. | | BRC1425 Basket spit. | |
| BS1425 Sabre spit for ham / turkey. | | BRRO1425 Roast-clamp spit. | | BA1425 Lamb/suckling-pig spit. | |
| BCR1425 Spatchcock chicken spit. | | GSV1425 Raised rack for meat storage. | | DEC Spit mover. | |

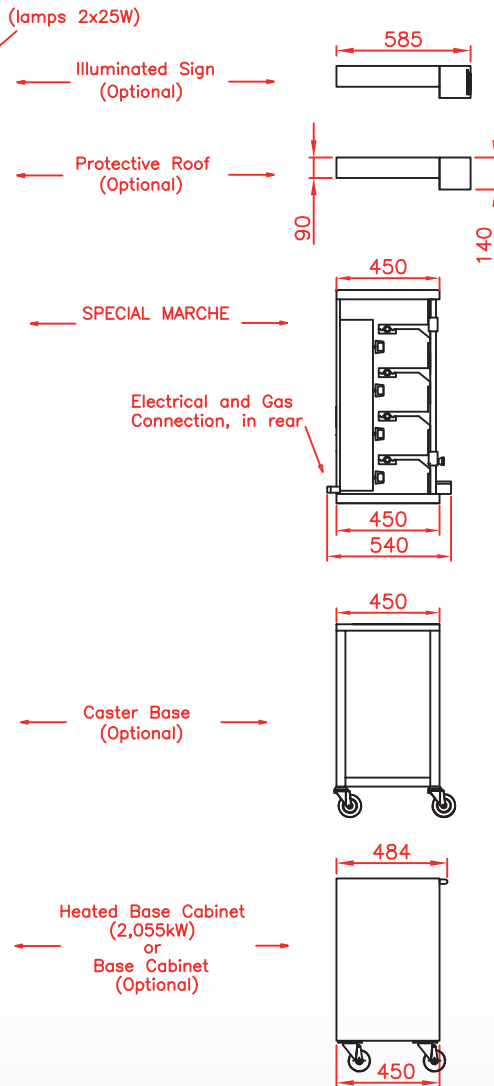
Front view

Rotisserie with roof (optional) and base on casters (optional)



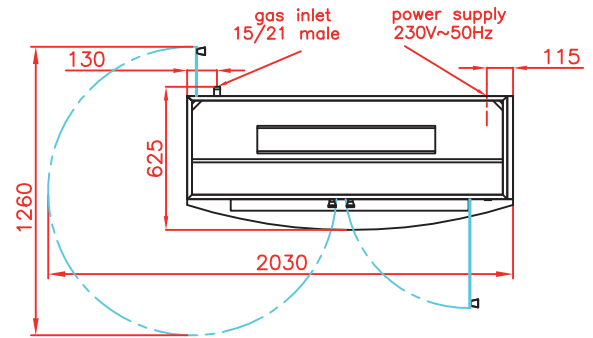
Side view

Rotisserie with roof (optional) and base on casters (optional)



Top view

Rotisserie with roof (optional) and base on casters (optional)



1425.4SMiG

Stainless steel finish



SPECIFICATIONS

| | |
|--------------------------|--|
| Gas Power | 22 kW |
| Gas consumption | Natural gas : 2.36 m ³ /h ; Propane : 1.68 kg/h |
| Gas connection | 20/27 male |
| Electricity | 230 V 50/60 Hz + earth 0.47 kW |
| Capacity | 20/24 poultries (depending on size) |
| Warranty | 1 year on parts (excluding glass doors) |
| Extraction | Compulsory |
| Minimum clearance | 62 cm on the left, 5 cm on the right, 20 cm at the rear |
| Weight | 130 kg without packing |

Revised : June 2014

DISTRIBUTOR / AGENT

Rotisol S.A.S.

Zone industrielle La Trentaine, Avenue Gustave Eiffel

77507 Chelles cedex - FRANCE

s.bennell@rotisol.com - Tel : +33 1 64 21 80 00

www.rotisol.com