



### SPECIAL-MARKET 1175.4SME/SMiE

#### DESIGN

The SPECIAL MARKET range of rotisseries have been designed with performance, practicality and mobility in mind. Light weight and compact they are the ideal rotisserie for markets and food trucks and offer a rapid output together with cooking quality.

The electrical heating elements provide an even distribution of heat throughout the unit - enabling fast batch cooking of poultry (1.2 kg) in an hour.

#### FEATURES

- ❑ Independent motors
- ❑ Spits with Bakelite handles
- ❑ Optional lighting
- ❑ Powerful reinforced electrical heating elements
- ❑ 2 tempered glass doors (removable for transport)
- ❑ Optional personalised removable roof signage
- ❑ Equipped with bottom drip tray with drainage tap

#### FINISHES

Standard model in finished STAINLESS STEEL. A choice of front coloured panels are available



**1175.4SME**

Black front panels and stainless steel finish



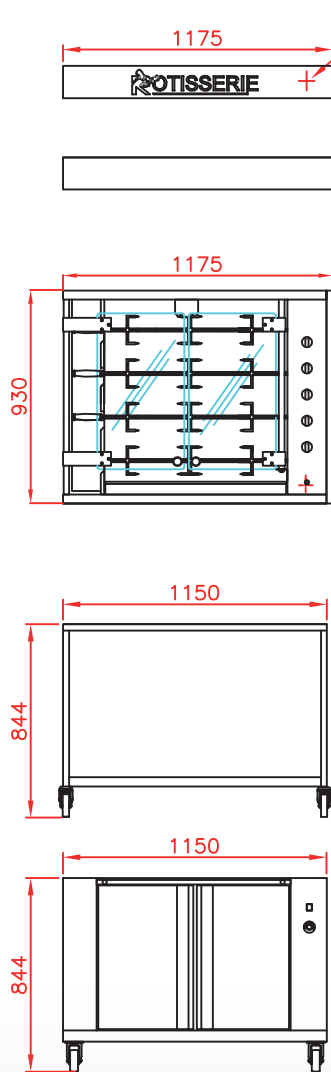
#### ACCESSORIES

A variety of accessories are available for the unit. Video of available [accessories](#).

<b>CUI1175</b> Anti-cutting prongless spit.		<b>BP1175</b> Chicken spit.		<b>BRC1175</b> Basket spit.	
<b>BS1175</b> Sabre spit for ham / turkey.		<b>BRRO1175</b> Roast-clamp spit.		<b>AT</b> Gas lighter.	
<b>BCR1175</b> Spatchcock chicken spit.		<b>GSV1175</b> Raised rack for meat storage.		<b>DEC</b> Spit mover.	

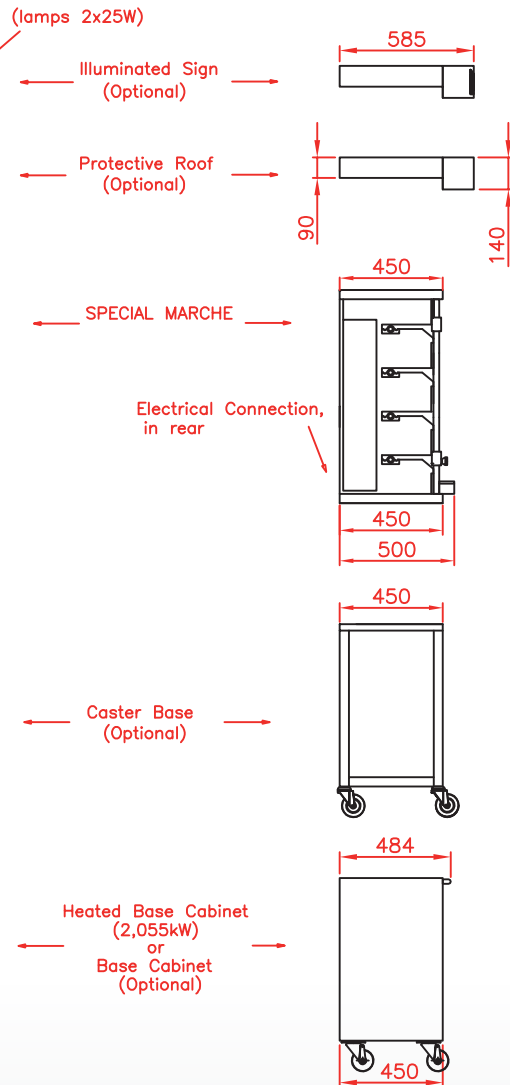
### Front view

Rotisserie with roof (optional) and base on casters (optional)



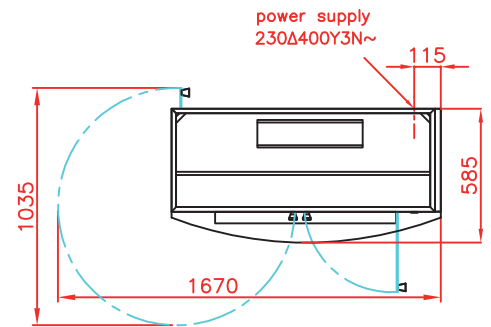
### Side view

Rotisserie with roof (optional) and base on casters (optional)



### Top view

Rotisserie with roof (optional) and base on casters (optional)



## SPECIFICATIONS

<b>Electricity</b>	400 V 3 phases + neutral + earth 13.5 kW
<b>Electrical connection</b>	wire length 2 meters
<b>Capacity</b>	16/20 poultries (depending on size)
<b>Warranty</b>	1 year on parts (excluding glass doors)
<b>Extraction</b>	Compulsory
<b>Minimum clearance</b>	51 cm on the left, 5 cm on the right, 10 cm at the rear
<b>Weight</b>	90 kg without packing

Revised : June 2014

DISTRIBUTOR / AGENT

### Rotisol S.A.S.

Zone industrielle La Trentaine, Avenue Gustave Eiffel  
77507 Chelles cedex - FRANCE  
[s.bennell@rotisol.com](mailto:s.bennell@rotisol.com) - Tel : +33 1 64 21 80 00  
[www.rotisol.com](http://www.rotisol.com)