

OLYMPIA

975.40LG/OiG

DESIGN

Rotisol's traditional rustic-style rotisserie, the OLYMPIA, is an attractive show-piece for any restaurant or kitchen and is used by chefs in Michelin's star restaurants around the world.

The naked flame from Rotisol's patented burners lick the cast iron hearth and porcelain wicks creating a spectacular visual that can be seen through the front and side glass doors.

Spits are driven by an elegant system of chains and pulleys, rotating at 2 ½ times per minute ensuring perfectly cooked, self-basting poultry, meat, vegetables and fish.

FEATURES

- ❑ Rotisol patented burners.
- ❑ 4 tempered glass doors.
- ❑ Protective roof included.
- ❑ Equipped with bottom drip tray with drainage tap.
- ❑ Pre-installed vertical spit system.
- ❑ Powerful halogen lamp.

FINISHES

Standard model in black enamel. A choice of other colours are available.









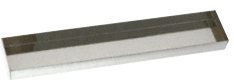


With chrome or brass trims.



ACCESSORIES

A variety of accessories are available for the unit. Video of available [accessories](#) and video of [vertical spit system](#).

CUI9 Anti-cutting prongless spit.		BP9 Chicken spit.		BRC9 Basket spit.	
BS9 Sabre spit for ham / turkey.		BRRO9 Roast-clamp spit.		BA9 Lamb/suckling- pig spit. On demand.	
GCP9 Spare rib rack.		GSV9 Raised rack for meat storage.		PID9 Stainless steel tray to unspit.	

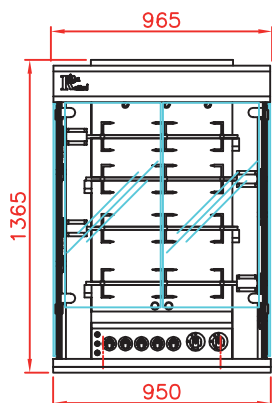


975.40LG

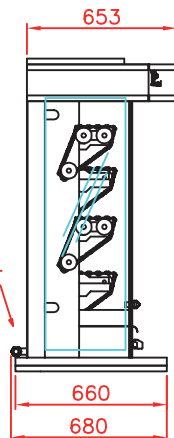
Black and brass finish



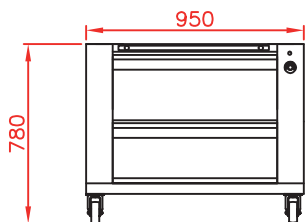
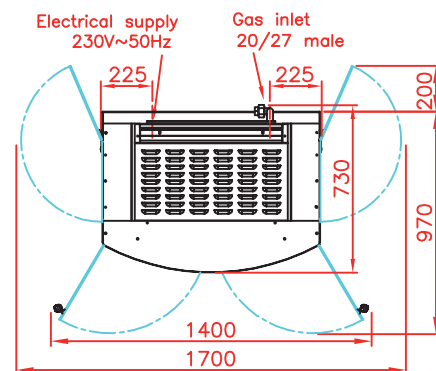
Front view
Rotisserie with roof
and base on casters (optional)



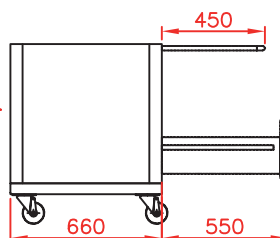
Side view
Rotisserie with roof
and base on casters (optional)



Top view
Rotisserie with roof
and base on casters (optional)



Heated base cabinet
with drawers
(Optional)



975.40iG

Stainless steel finish



SPECIFICATIONS

Gas Power	20 kW
Gas consumption	Natural gas : 2.12 m ³ /h ; Propane : 1.55 kg/h
Gas connection	20/27 male
Electricity	230 V 50/60 Hz + earth 0.47 kW
Capacity	8/12 poultres (depending on size)
Warranty	1 year on parts (excluding glass doors)
Extraction	Compulsory
Minimum clearance	39 cm on the left and right, 22 cm at the rear
Weight	200 kg without packing

Revised : December 2013

DISTRIBUTOR / AGENT

Rotisol S.A.S.

Zone industrielle La Trentaine, Avenue Gustave Eiffel
77507 Chelles cedex - FRANCE
bennell@rotisol.com - Tel : +33 1 64 21 80 00
www.rotisol.com