

# OLYMPIA

## 975.60LG/OiG

### DESIGN

Rotisol's traditional rustic-style rotisserie, the OLYMPIA, is an attractive show-piece for any restaurant or kitchen and is used by chefs in Michelin's star restaurants around the world.

The naked flame from Rotisol's patented burners lick the cast iron hearth and porcelain wicks creating a spectacular visual that can be seen through the front and side glass doors.

Spits are driven by an elegant system of chains and pulleys, rotating at 2 ½ times per minute ensuring perfectly cooked, self-basting poultry, meat, vegetables and fish.

### FEATURES

- ❑ Rotisol patented burners.
- ❑ 4 tempered glass doors.
- ❑ Protective roof included.
- ❑ Equipped with bottom drip tray with drainage tap.
- ❑ Pre-installed vertical spit system.
- ❑ Powerful halogen lamp.

### FINISHES

Standard model in black enamel. A choice of other colours are available.



With chrome or brass trims.












**975.60LG**

Black and brass finish



### ACCESSORIES

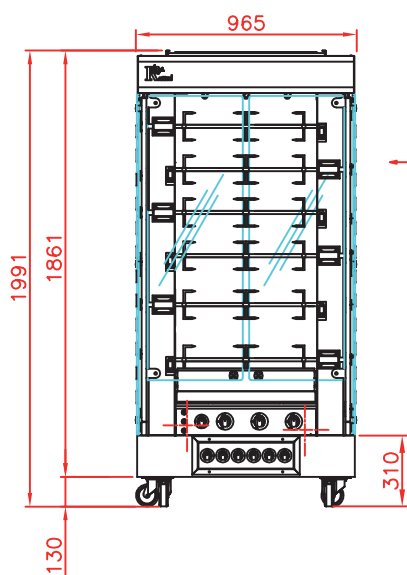
A variety of accessories are available for the unit. Video of available [accessories](#) and video of [vertical spit system](#).

<b>CUI9</b> Anti-cutting prongless spit.		<b>BP9</b> Chicken spit.		<b>BRC9</b> Basket spit.	
<b>BS9</b> Sabre spit for ham / turkey.		<b>BRRO9</b> Roast-clamp spit.		<b>BA9</b> Lamb/suckling-pig spit. On demand.	
<b>GCP9</b> Spare rib rack.		<b>GSV9</b> Raised rack for meat storage.		<b>PID9</b> Stainless steel tray to unspit.	

**Front view**  
Rotisserie with roof  
and base on casters

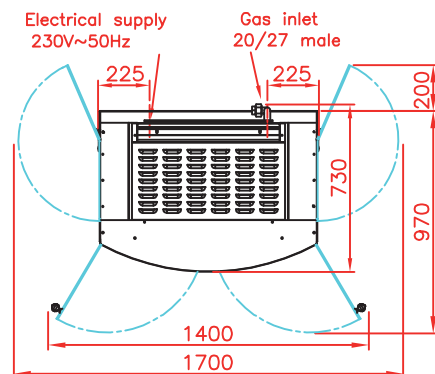
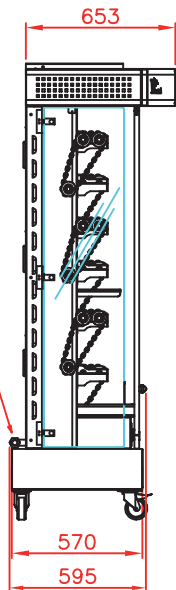
**Side view**  
Rotisserie with roof  
and base on casters

**Top view**  
Rotisserie with roof  
and base on casters



← GRANDES FLAMMES  
OLYMPIA →

Electrical and Gas  
Connection, in rear



**975.60iG**

Stainless steel finish



**Revised :** December 2013

## SPECIFICATIONS

<b>Gas Power</b>	30 kW
<b>Gas consumption</b>	Natural gas : 3.18 m <sup>3</sup> /h ; Propane : 2.32 kg/h
<b>Gas connection</b>	20/27 male
<b>Electricity</b>	230 V 50/60 Hz + earth 0.57 kW
<b>Capacity</b>	12/18 poultries (depending on size)
<b>Warranty</b>	1 year on parts (excluding glass doors)
<b>Extraction</b>	Compulsory
<b>Minimum clearance</b>	39 cm on the left and right, 22 cm at the rear
<b>Weight</b>	325 kg without packing

**DISTRIBUTOR / AGENT**

**Rotisol S.A.S.**

Zone industrielle La Trentaine, Avenue Gustave Eiffel  
77507 Chelles cedex - FRANCE  
[s.bennell@rotisol.com](mailto:s.bennell@rotisol.com) - Tel : +33 1 64 21 80 00  
[www.rotisol.com](http://www.rotisol.com)