



### Essentiel

### 6MCV5LS.I - 10MCV5LS.I

#### DESIGN

Self-service display unit with 5 shelves inclined at a 5 ° angle to maximise viewing of the products.

Panoramic view with low shelves and side windows.

Stainless steel fabrication with base in black epoxy.

Keeps all products at a core temperature of between + 63 ° C and + 70 ° C (poultry packed under plastic shells, in bags or different snack packaging) in order to comply with food safety requirements, whilst respecting the organoleptic qualities required for the food safety of consumers regardless of where placed on the presentation shelf.

Energy efficient.

Lighting of each shelf by LED lamps.

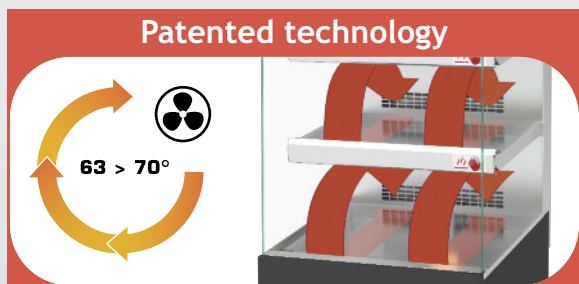
Original design with combination of a cylindrical air blowing turbine and radiant heaters (Rotisol patented).

#### FEATURES

- Body in black epoxy
- «Grab & Go» printed roof (optional)
- Presentation shelves inclined at 5 °
- Front loading
- Securit side glasses
- Independant digital electronic control for each shelf
- Lighting of each shelf by LED lamps
- Energy efficient
- Technical base on wheels with brakes or adjustable feet

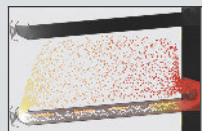


6MCV5LS.I



#### TECHNICAL DETAILS

Overview of some of the standard features.



Innovative technology of circulation and distribution of heat for each shelf.

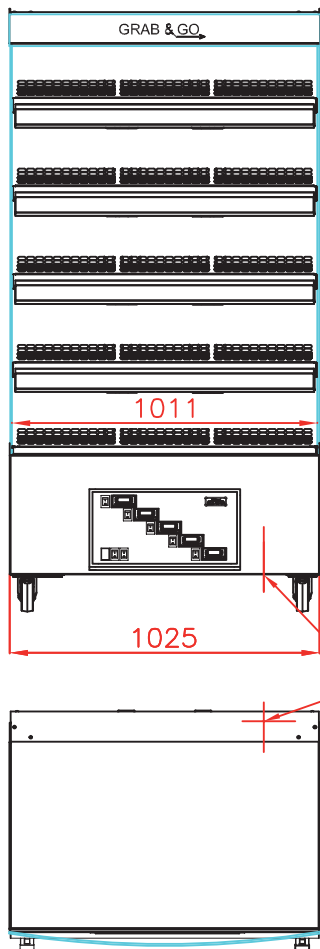


Independent temperature adjustment for each shelf.

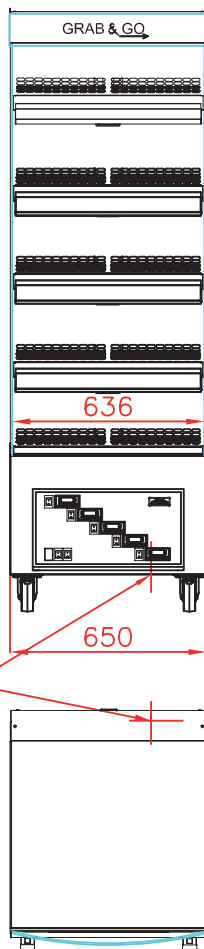


«Grab & Go» printed roof (optional)

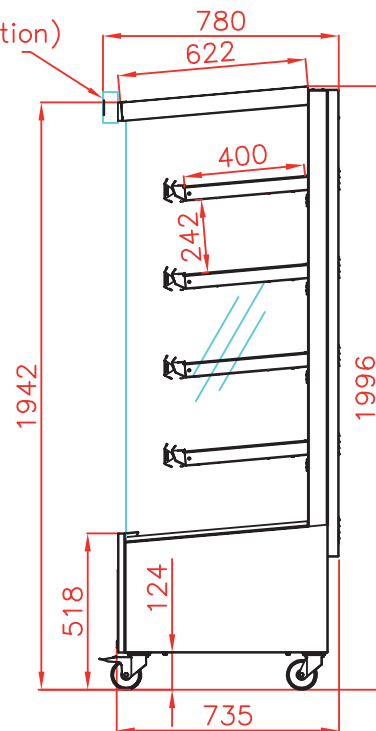
Front view  
10MCV5LS.I



Front view  
6MCV5LS.I



Side view



Revised :  
December 2019

## SPECIFICATIONS 6MCV5LS.I

Capacity	26/52 poultries in shells
Power supply - power	400 Volts 3 phases+neutral+earth - 4.5 kW
Weight and size (HxDxW)	170 kg ; 1996 x 735 x 650 mm
Shipping weight and size	220 kg ; 2120 x 760 x 1060 mm
Guarantee	1 year parts

## SPECIFICATIONS 10MCV5LS.I

Capacity	46/92 poultries in shells
Power supply - power	400 Volts 3 phases+neutral+earth - 7.78 kW
Weight and size (HxDxW)	225 kg ; 1996 x 735 x 1025 mm
Shipping weight and size	285 kg ; 2120 x 760 x 1060 mm
Guarantee	1 year parts



6MCV5LS.I



DISTRIBUTOR / AGENT

Rotisol S.A.S.

Zone industrielle La Trentaine, Avenue Gustave Eiffel  
77507 Chelles cedex - FRANCE

[s.bennell@rotisol.com](mailto:s.bennell@rotisol.com) - Tel : +33 1 64 21 80 00

[www.rotisol.com](http://www.rotisol.com)