



DISPLAY



Cold TOP-DROP'IN DI-R-R4

"Refrigerated Granite Slab to be built in"

DESIGN

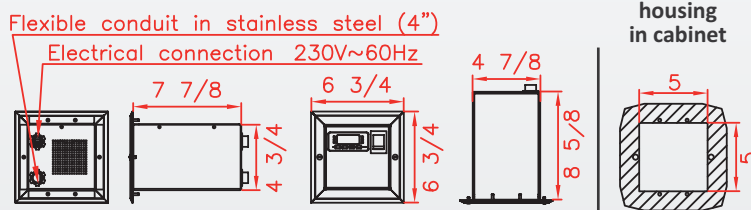
A sturdy stainless steel support box with adjustable legs for leveling is topped by a granite serving surface, and you will be able to install it in any counter. Thanks to Rotisol's unique patented system, cold is uniformly diffused across the entire surface of the granite slab. ROTISOL's Refrigerated Granite Slabs are available in Absolute Black or Grey Sarde (white with grey and black flecks).

FEATURES

- ROTISOL's Refrigerated Granite Slabs are made of approved food safe material.
- Control panel is connected with a 40" power cord in a stainless steel conduit so that it can be placed in the most convenient location.
- Cooling system is uniformly spread under the surface of the granite.
- A thermostat controls the temperature through a probe inserted into the granite, allowing the temperature to be set from 32°F to 42°F. **LOW CONSUMPTION / ENERGY SAVING!**



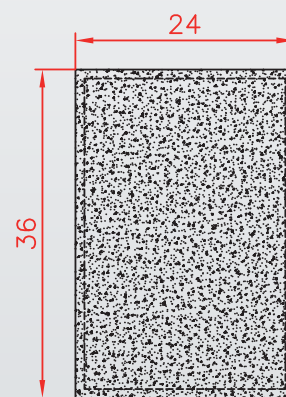
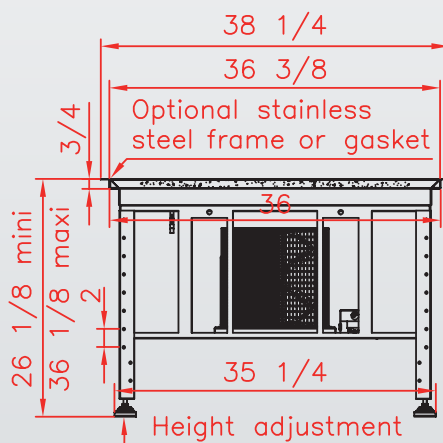
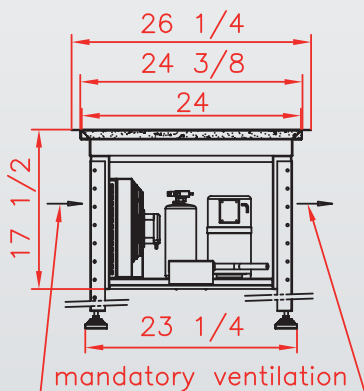
Remote control box (back, side, front, top views)



Front view

Side view

Top view



SPECIFICATIONS

Power supply - power	208-240V~60Hz ; 0,7 kW
Weight and size (HxDxW)	03 Lbs ; 36 1/8 x 36 x 24 inches
Warranty	1 year parts and labor

Revised : March 2020

DISTRIBUTOR / AGENT

Rotisol France, Inc.

415 W. Walnut St. Gardena, CA 90248

info@rotisolusa.com - www.rotisolusa.com

Ph :310 671 7254

Fax :310 671 8071

