

DESIGN

Rotisol's most popular line, the GrandFlame combines the drama of visible flames and the beauty of elegant finishes with the highest degree of functionality.

A wide array of spits allow the chef to cook anything that can be roasted: whole or split chickens, lamb, beef roasts and steaks, cuts of pork, porchetta, fish, vegetables, even fruit.

The optional Vertical Spit System with its choice of eight hanging accessories expands the menu possibilities even more and adds additional visual appeal.

FEATURES

- Energy efficient
- Tempered K-glass doors
- Independent motor for each spit
- Equipped with bottom drip tray with built-in drainage
- Rotisol patented burners
- Powerful halogen lamps
- Delivered with 8 prongless spits (CUI1600)
- Illuminated sign «Rotisserie» for enamel model only
- Base on casters with brakes



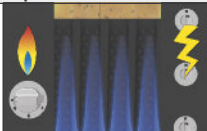
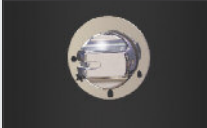
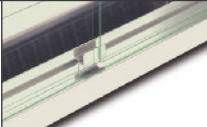



GF1675-8G-LUX

Black porcelain enamel and brass

TECHNICAL DETAILS

Overview of some of the standard features.

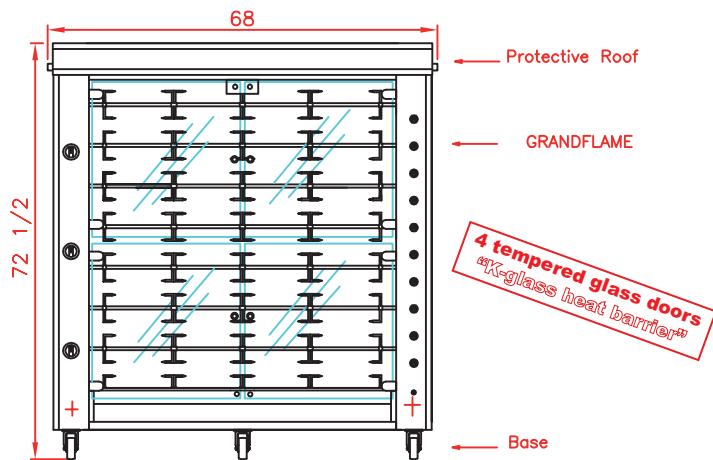
	Stainless steel burner with removable air filter (Rotisol patent)		Robust hinges designed for heavy use, with integrated locking in open and closed positions		Gas safety ! separation of the gas and electric chambers avoids any risks of explosion
	Gas and electric switches, in chromed or brass-colored metal		Anti-scald K-glass reduces external thermal radiation (energy saving). Glass overlaps drip pan to keep splatters inside (anti-slip protection).		Removable inside side-panels doubles protection from grease seeping into motors and other sensitive parts

ACCESSORIES

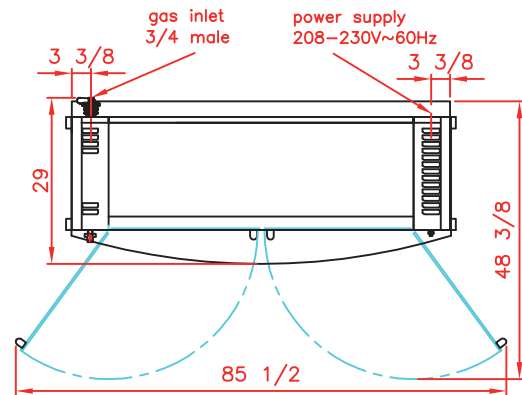
A variety of accessories are available. See video of available accessories and of vertical spit system online.

CUI1600 Anti-cutting prongless V-spit.		BP1600 Chicken spit.		BRC1600 Rectangular basket spit.	
BS1600 Spit for ham / turkey.		BRRO1600 Roast-clamp spit.		BA1600 Lamb/suckling-pig spit.	
BCR1600 Spatchcock chicken basket.		DEC Spit mover.		BPOR1600 Porchetta spit.	

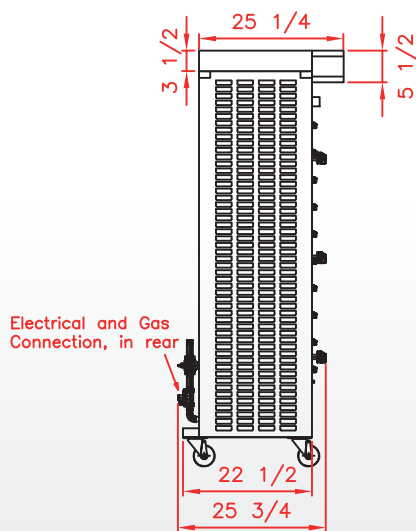
Front view
Rotisserie with roof



Top view
Rotisserie with roof



Side view
Rotisserie with roof



Revised :
March 2018



GF1675-8G-SSP
Stainless steel with porcelain enamel

SPECIFICATIONS

Capacity	56/64 poultries
Gas power	175000 BTU/h
Power supply	208-230V-60Hz ; 2,6 Amps
Electrical power	0,54 kW
Weight and size (HxDxW)	770 Lbs ; 72 1/2 x 29 x 68
Shipping weight and size	907 Lbs ; 70 1/8 x 30 3/4 x 77 5/8
Warranty	1 year parts and labor

DISTRIBUTOR / AGENT

Rotisol France, Inc.
415 W. Walnut St. Gardena, CA 90248
info@rotisolusa.com
Ph :310 671 7254
Fax :310 671 8071