



FlamBoyant™ FB1400-6G



DESIGN

The FlamBoyant range of rotisseries has been especially designed for high-volume cooking with high output and speed, while retaining excellent cooking quality. Well designed, user friendly and reliable the FlamBoyant is used by leading supermarkets and chain restaurants throughout the world.

Conscious of the high energy cost involved for our clients, the FlamBoyant rotisserie has energy saving infrared burners, patented by Rotisol. A wide array of accessories enable the rapid roasting of a variety of products.

FEATURES

- Energy efficient
- Tempered K-glass doors
- Independent motor for each spit
- Equipped with bottom drip tray with built-in drainage
- Rotisol patented burners
- Powerful halogen lamps
- Delivered with 6 prongless spits (CUI1375-1400)
- Illuminated sign «Rôtisserie» for enamel model only
- Base on casters with brakes



FB1400-6G-SSP

Black porcelain enamel and chrome

TECHNICAL DETAILS

Overview of some of the standard features.

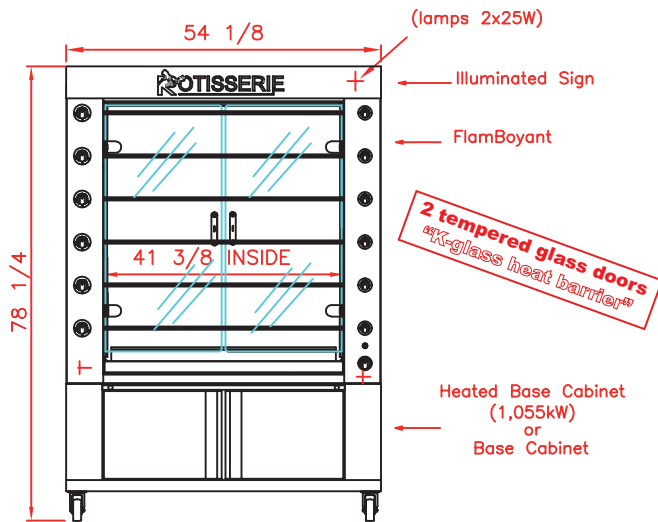
	<p>Replaceable ceramic bricks for significant financial savings</p>		<p>Robust hinges designed for heavy use, with integrated locking in open and closed positions</p>		<p>Gas safety ! separation of the gas and electric chambers avoids any risks of explosion</p>
	<p>Gas and electric switches, in chromed metal</p>		<p>Anti-scald K-glass reduces external thermal radiation (energy saving). Glass overlaps drip pan to keep splatters inside (anti-slip protection).</p>		<p>Removable inside side-panels doubles protection from grease seeping into motors and other sensitive parts</p>

ACCESSORIES

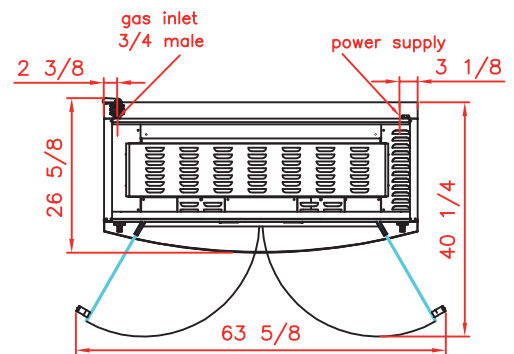
A variety of accessories are available. See video of available accessories and of vertical spit system online.

<p>CUI1375-1400 Anti-cutting prongless V-spit.</p>		<p>BP1375-1400 Porchetta spit.</p>		<p>BRC1375-1400 Rectangular basket spit.</p>	
<p>BS1375-1400 Spit for ham / turkey.</p>		<p>BRRO1375-1400 Roast-clamp spit.</p>		<p>BA1375-1400 Lamb/suckling-pig spit.</p>	
<p>BCR1375-1400 Spatchcock chicken basket.</p>		<p>DEC Spit mover.</p>		<p>PID1375-1400 Tray for unspitting.</p>	

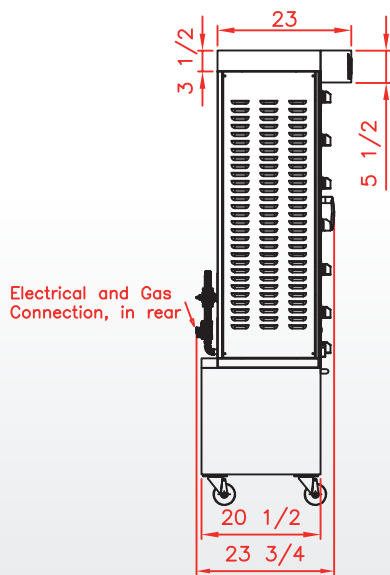
Front view
Rotisserie with roof



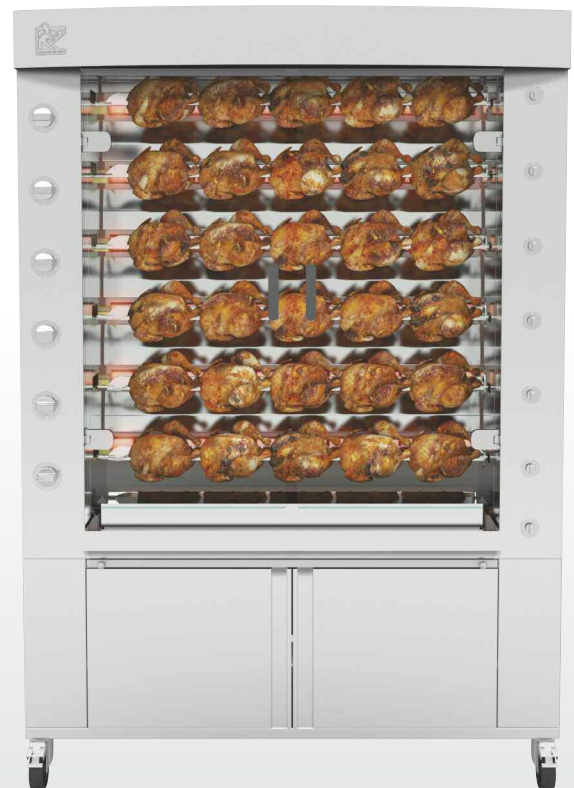
Top view
Rotisserie with roof



Side view
Rotisserie with roof



Revised :
December 2016



FB1400-6G-SS
Stainless steel and chrome

SPECIFICATIONS

Capacity	30/36 chickens
Gas power	113000 BTU/h
Power supply	208-240V-60Hz ; 4 Amps
Electrical power	0,83 kW
Weight and size (HxDxW)	480 Lbs ; 78 1/4 x 26 5/8 x 54 1/8 inches
Shipping weight and size	612 Lbs ; 78 3/4 x 30 x 59 1/8 inches
Warranty	1 year parts and labor

DISTRIBUTOR / AGENT

Rotisol France, Inc.
415 W. Walnut St. Gardena, CA 90248
info@rotisolusa.com
Ph :310 671 7254
Fax :310 671 8071