



Star-Clean SCP8.720

DESIGN

For many years, «Star-Clean» rotisseries have had a good reputation amongst supermarkets and in the catering industry, meeting their needs in terms of production and robustness thanks to a high output, speed and quality.

Easy to use, modern and elegant, their interior lighting will enhance the presentation of your various cooked products (poultry, large and small pieces of meat, vegetables etc ...).

Thanks to the assisted cleaning system: steam injection for softening grease + Brita softened water and high-pressure shower for stain-free cleaning + grease recovery bags placed in the mobile grease trap for disposal, «Star-Clean» will quickly become your asset in the kitchen.

FEATURES

- Energy efficient
- Double glazing K-glass
- Integrated grease container with drain valve
- Digital electronic display
- Automatic preheating at start-up
- Steam program (assisted cleaning), connect to softened water
- 6 cooking programs
- Lighting with halogen lamp
- Delivered with 8 baskets (BALSC720)



SCP8.720
(optional stand)



TECHNICAL DETAILS

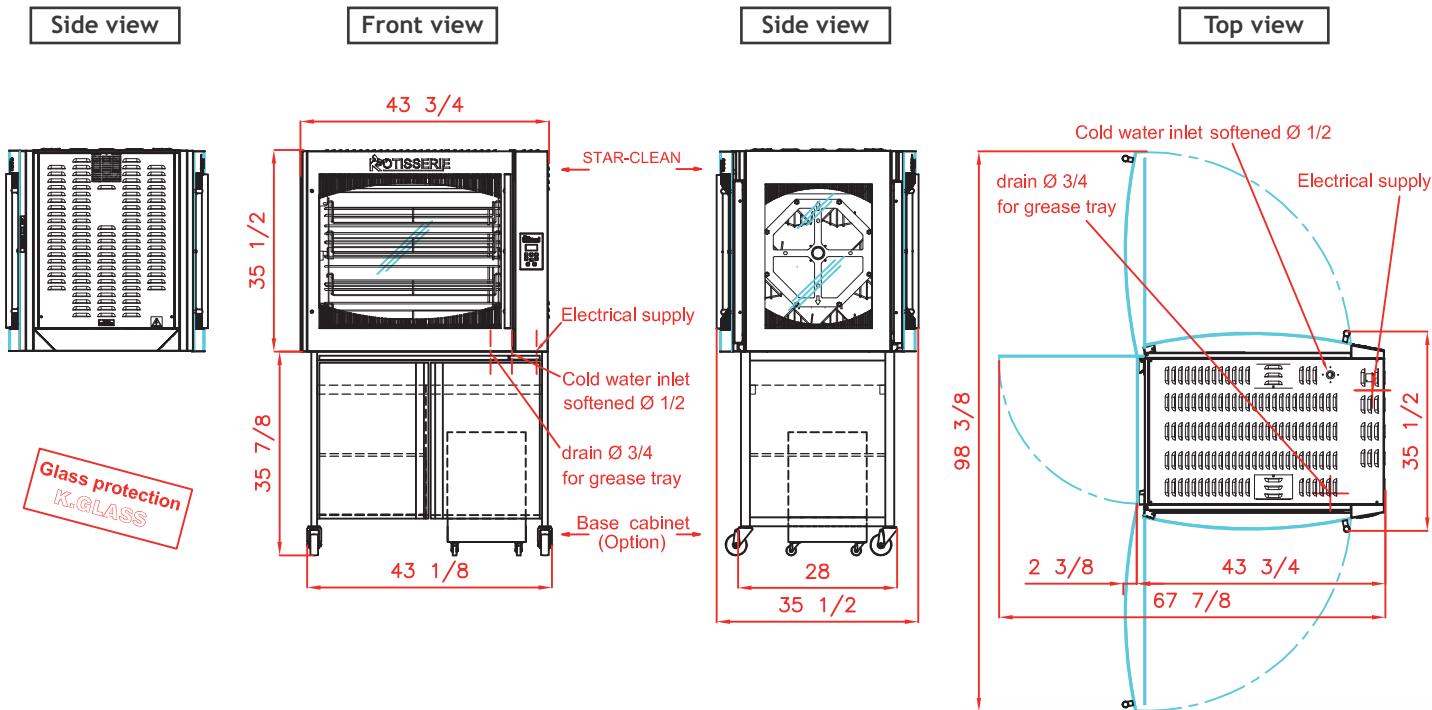
Overview of some of the standard features.

	Silicone gasket for sealing the door when closed.		Retrieval and easy disposal of cooking grease with disposable bags in the mobile grease tray (optional).		Heat diffused by turbine for a homogeneous distribution of the temperature in the cooking chamber.
	Assisted cleaning through the use of the steam injection program for softening cooking grease.		High pressure shower for precise cleaning.		Rinse without trace thanks to the use of softened water by Brita cartridge (optional).

ACCESSORIES

Many accessories are available. Videos of the [accessories](#).

	BALSC720 Chicken baskets.		BAP720 Small cuts baskets.		PDSC720 Tray for vegetables and potatoes.
--	-------------------------------------	--	--------------------------------------	--	---



For a rinse without traces Rotisol uses water softeners and accessories by Brita

Option:
2 shelves and removable tablet



SPECIFICATIONS

Capacity roasted chickens	32/40 chickens, 8 baskets
Capacity spatchcock chickens	28 chickens, 4 spatchcock chicken baskets
Power supply - power	208-240V-60Hz ; 27 Amps ; 9,5 kW
Weight and size (HxDxW)*	618 Lbs ; 70 9/32 x 35 7/16 x 43 5/16 inches
Shipping weight and size*	750 Lbs ; 77 11/64 x 40 35/64 x 48 27/64 inches
Warranty	1 year parts and labor

* with a stand or base cabinet (optional)



Revised :
September 2020

DISTRIBUTOR / AGENT

Rotisol France, Inc.
415 W. Walnut St. Gardena, CA 90248
info@rotisolusa.com
Ph :310 671 7254
Fax :310 671 8071

