



DISPLAY

# Essentiel

## 6MCV5LS - 10MCV5LS

### DESIGN

Self-service display unit with 5 shelves inclined at a 5 ° angle to maximise viewing of the products.

Panoramic view with low shelves and side windows.

Stainless steel fabrication with base in black epoxy.

Keeps all products at a core temperature of between +145 ° F and +158 ° F (poultry packed under plastic shells, in bags or different snack packaging) in order to comply with food safety requirements, whilst respecting the organoleptic qualities required for the food safety of consumers regardless of where placed on the presentation shelf.

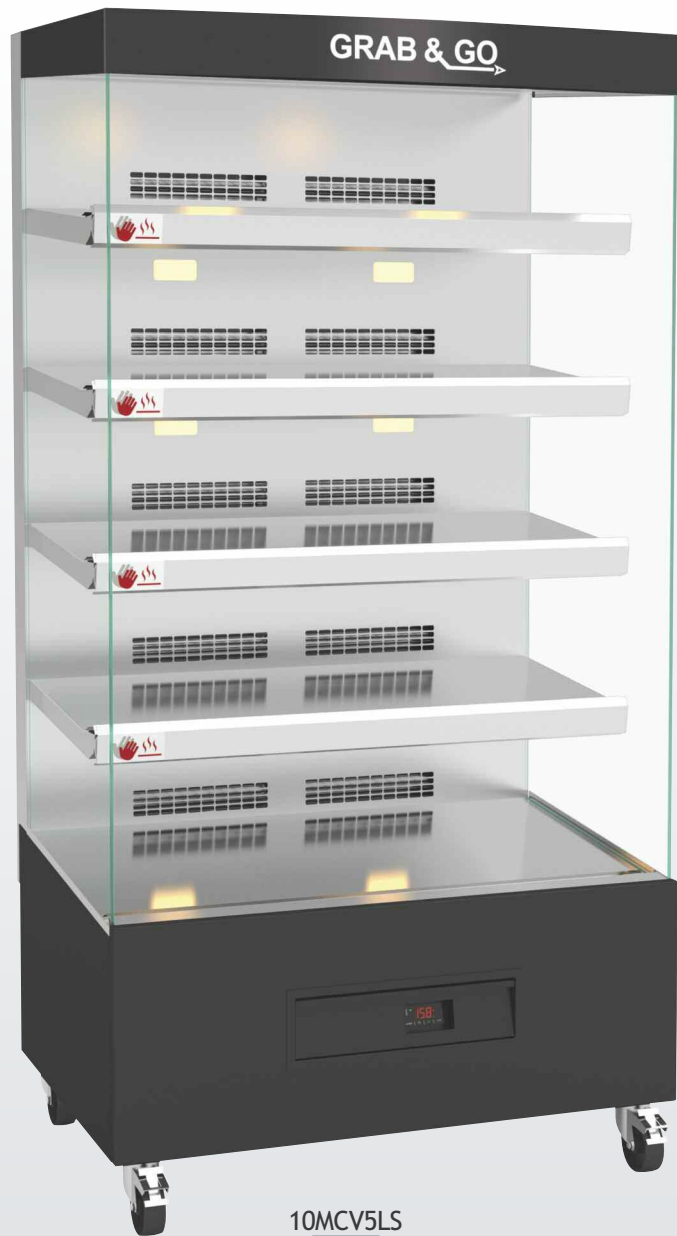
Energy efficient.

Lighting of each shelf by LED lamps.

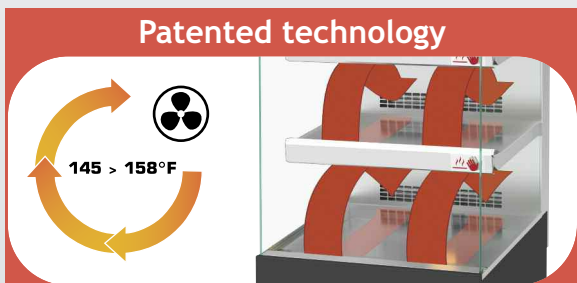
Original design with combination of a cylindrical air blowing turbine and radiant heaters (Rotisol patented).

### FEATURES

- Body in black epoxy
- «Grab & Go» printed roof (optional)
- Presentation shelves inclined at 5 °
- Front loading
- Securit side glasses
- Digital electronic temperature control
- Lighting of each shelf by LED lamps
- Energy efficient
- Technical base on wheels with brakes or adjustable feet

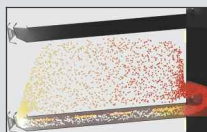


10MCV5LS



### TECHNICAL DETAILS

Overview of some of the standard features.



Innovative technology of circulation and distribution of heat for each shelf.



Simplified control: a single temperature setting control for all shelves.

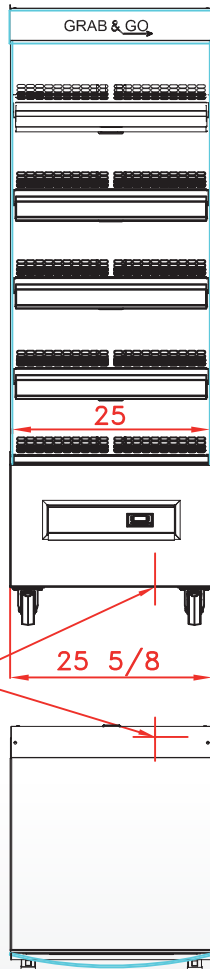
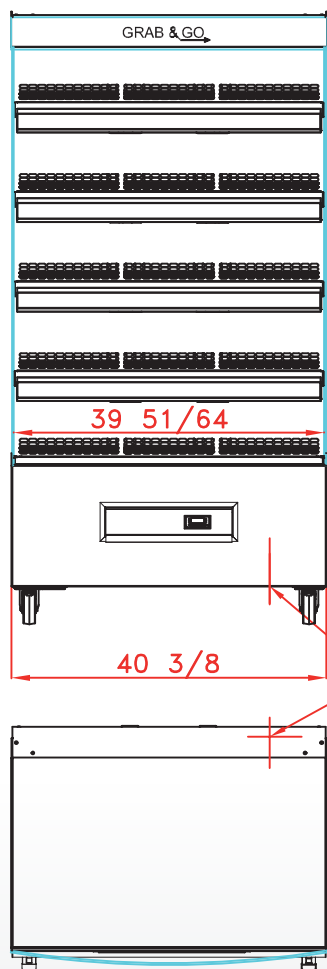


«Grab & Go» printed roof (optional)

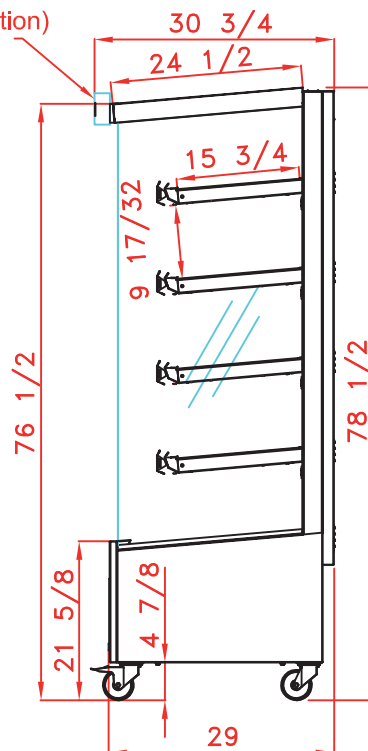
Front view  
10MCV5LS

Front view  
6MCV5LS

Side view



Headband (option)



## SPECIFICATIONS 6MCV5LS

Capacity	26/52 chickens in shells
Power supply - power	208-240V-60Hz ; 22 Amps ; 5,3 kW
Weight and size (HxDxW)	375 Lbs ; 78 1/2 x 29 x 25 5/8 inches
Shipping weight and size	485 Lbs ; 81 1/2 x 30 x 41 3/4 inches
Warranty	1 year parts

## SPECIFICATIONS 10MCV5LS

Capacity	46/92 chickens in shells
Power supply - power	208-240V-60Hz ; 36 Amps ; 8,5 kW
Weight and size (HxDxW)	496 Lbs ; 78 1/2 x 29 x 40 3/8 inches
Shipping weight and size	629 Lbs ; 81 1/2 x 30 x 41 3/4 inches
Warranty	1 year parts and labor



Revised :  
October 2020



6MCV5LS



DISTRIBUTOR / AGENT

Rotisol France, Inc.  
415 W. Walnut St. Gardena, CA 90248  
[info@rotisolusa.com](mailto:info@rotisolusa.com)  
Ph :310 671 7254  
Fax :310 671 8071