



Super BBQ

1375-8

DESIGN

Designed to serve your needs in outdoor cooking, big enough to perfectly roast all different sizes of meat. The Super BBQ will be your best ally to bring to weddings, festivals, banquets, picnics...

Attractive, easily transportable and easy to clean, the Super BBQ is the equipment that will make the difference...

FEATURES

- Energy efficient
- 2 Tempered K-glass doors
- Heavy duty removable motor
- Drip pan can double as a cutting board
- Rotisol patented burners (engineered and manufactured by Rotisol)
- Easy access for maintenance and high pressure cleaning
- Low maintenance
- All stainless steel and porcelain enamel
- Pilot-thermocouple. Gas safety valve
- Quick change accessories

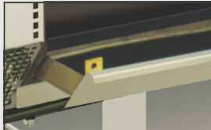



1375-8

Porcelain enamel and stainless steel finish

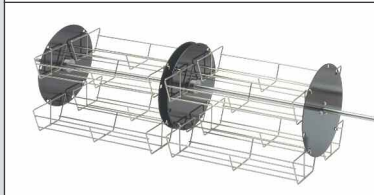
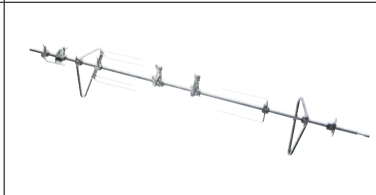

TECHNICAL DETAILS

Overview of some of the standard features.

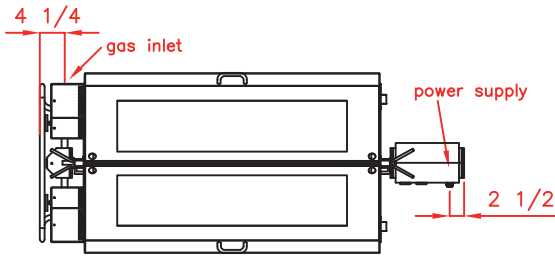
	Stainless steel burner with removable air filter (Rotisol patent).		2 removable flap-doors with tempered K-glass windows.		Porcelain enamel and stainless steel finish.
	Stainless steel drip pan with drainage valve.		Heavy duty wheels and handle for easy placement.		Gas safety valve.

ACCESSORIES

A variety of accessories are available. See video of available accessories.

SB.BAL Revolving basket spit for chicken. Set of 8 baskets.	SB.GP Spit for turkey, pig, ham & sheep.	SB.GRILL 4 cast iron cooking griddles.	BA1675 Lamb/suckling-pig spit.
			

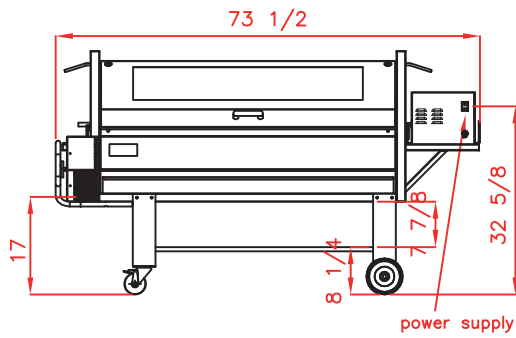
Top view



ROTISSERIE
24 CHICKENS



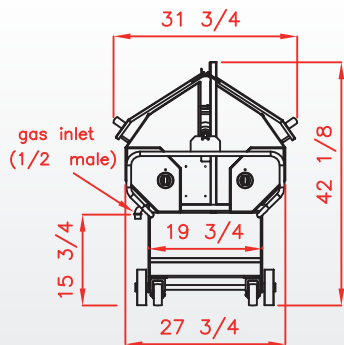
Side view



BBQ / GRILL
LARGE SURFACE



Front view



BIG SPIT
ROASTER



EASY CLEANING
high pressure cleaning
shielded burners



SPECIFICATIONS

Capacity	24 chickens or 1 lamb
Gas power	90200 BTU/h
Power supply	208-240V-60Hz ; 0,42 Amps
Electrical power	0,1 kW
Weight and size (HxDxW)	342 Lbs ; 42 1/8 x 31 3/4 x 73 1/2 inches
Useful surface of the grill	50 3/8 x 18 7/8 inches
Shipping weight and size	441 Lbs ; 44 1/8 x 35 1/2 x 84 3/4 inches
Warranty	1 year parts and labor



Revised :
September 2020

DISTRIBUTOR / AGENT

Rotisol France, Inc.
415 W. Walnut St. Gardena, CA 90248
info@rotisolusa.com
Ph :310 671 7254
Fax :310 671 8071