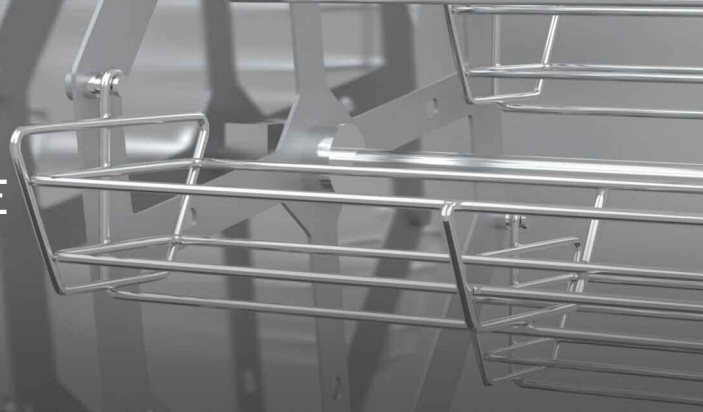




RÔTISSERIE

# MINI-CONCEPT ROTI-ROASTER

## 5.320iF2LSP8



### ROTI-ROASTER MINI-CONCEPT

Mini rotisserie concept to save space, energy

**The mini rotisserie : Optimisation of a space with a self-service display**, 2 presentation levels in stainless steel inclined at 10°, with digital display and electronic temperature control, mounted on castors with brakes.

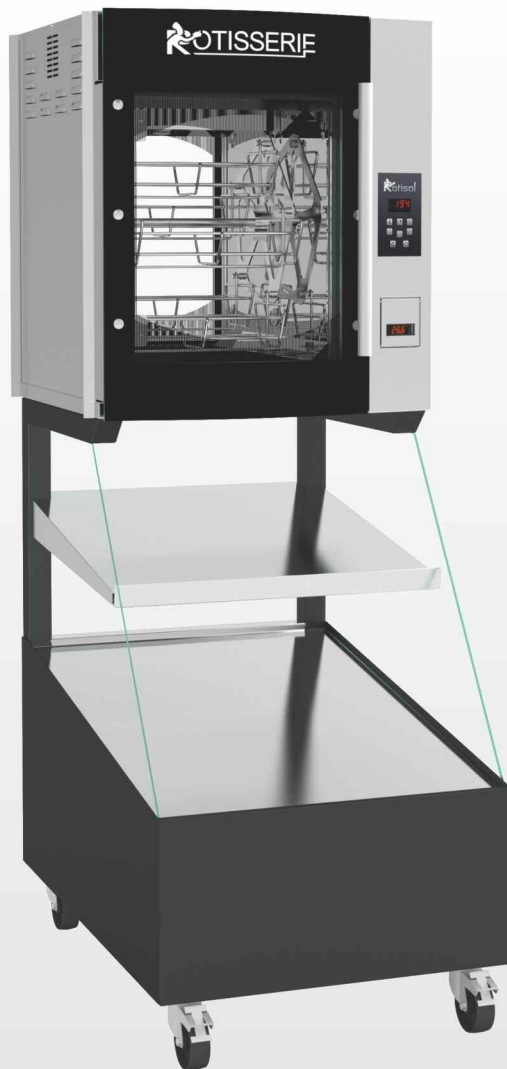
**Topped by a programmable roaster convection Roti-Roaster** with baskets or chicken spits, electronic programming time and temperature with digital display and alarm after cooking cycle and then maintaining the temperature at 145 ° F with a program of pre-cooking, six cooking programs with security convex glass and double glass on service side.

### Digital Display with programming of cooking parameters (time and temperature)

Pre heat program

6 cooking program

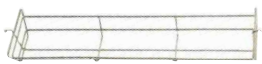




Controls on front or rear of the Roti-Roaster

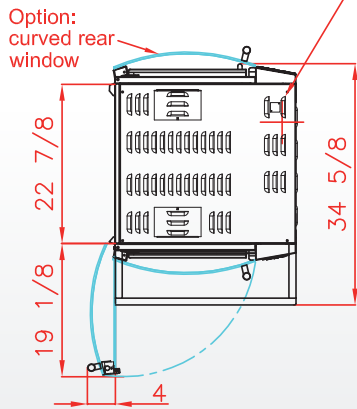
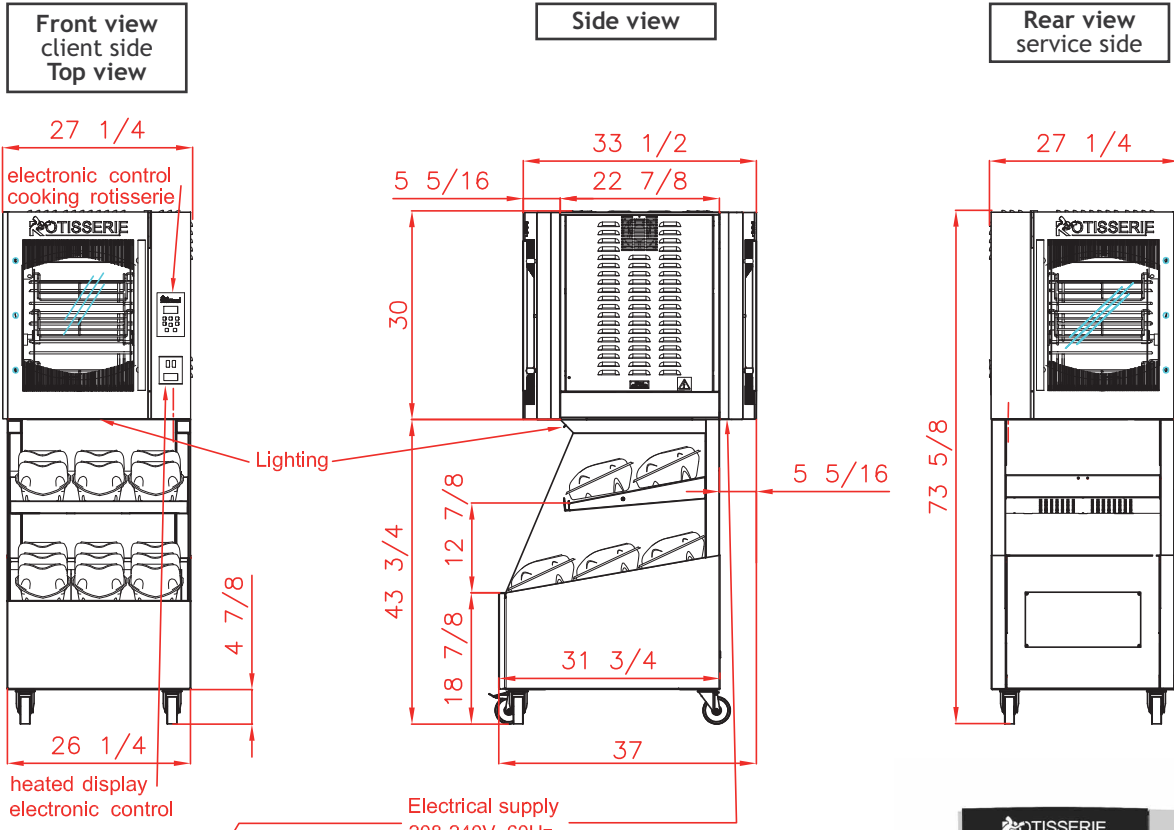


5.320iF2LSP8

### ACCESSORIES

A variety of accessories are available. See [video](#) of available accessories.

<p><b>BALD320</b> Chicken baskets standard.</p>		<p><b>BAP320</b> Small cuts baskets.</p>		<p><b>BAB320</b> Big pieces of meat spit.</p>	
<p><b>PD320</b> Stainless steel rack top.</p>		<p><b>TP5320</b> Protective roof.</p>			



Intertek



Intertek

Revised :  
March 2021



5.320iF2LSP8

### SPECIFICATIONS

Capacity roasted chickens	5/10 chickens, 5 baskets/spits
Display capacity	15 chickens
Power supply	208-240V-60Hz ; 3 Phases + Ground
Electrical power	24 Amps ; 5,1 kW
Weight and size (HxDxW)	397 Lbs ; 73 5/8 x 37 x 27 1/4 inches
Shipping weight and size	496 Lbs ; 77 5/8 x 40 5/8 x 29 1/2 inches
Warranty	1 year parts and labor

DISTRIBUTOR / AGENT

Rotisol France, Inc.  
415 W. Walnut St. Gardena, CA 90248  
[info@rotisolusa.com](mailto:info@rotisolusa.com)  
Ph :310 671 7254  
Fax :310 671 8071