



RÔTISSERIE

# MINI-CONCEPT STAR-CLEAN

## 5.520i2LSP8

### STAR-CLEAN MINI-CONCEPT

Mini rotisserie concept to save space, energy with assisted cleaning

**The MINI-CONCEPT : Optimisation of a space with a self-service display**, 2 presentation levels in stainless steel inclined at 10°, with digital display and electronic temperature control, mounted on castors with brakes.

**Topped by a programmable roaster convection STAR-CLEAN** with baskets or chicken spits, electronic programming time and temperature with digital display and alarm after cooking cycle and then maintaining the temperature at 145 ° F with a program of pre-cooking, six cooking programs with security convex glass and double glass on service side.

### Digital Display with programming of cooking parameters (time and temperature)

- Pre heat program
- 6 cooking program
- A steam program to facilitate cleaning.



5.520i2LSP8

### ACCESSORIES

A variety of accessories are available. See [video](#) of available accessories.

**BALSC520**  
Chicken baskets  
standard.



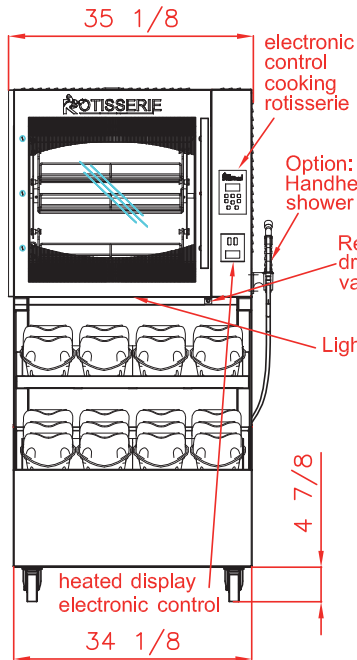
**BALRC520AS**  
Small cuts  
baskets.



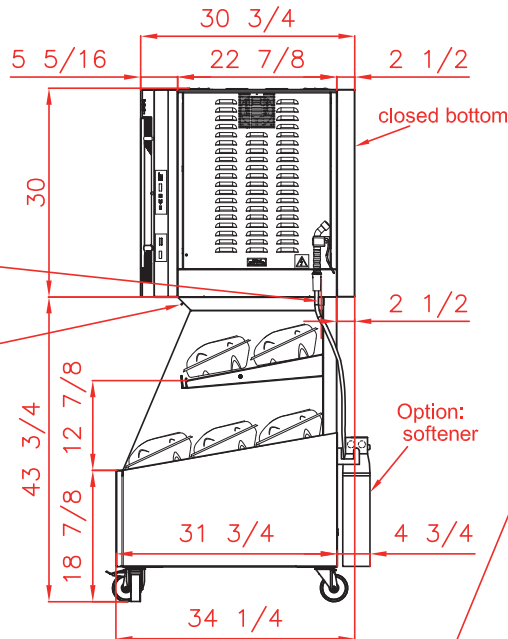
**BAB520**  
Big pieces of meat  
spit.



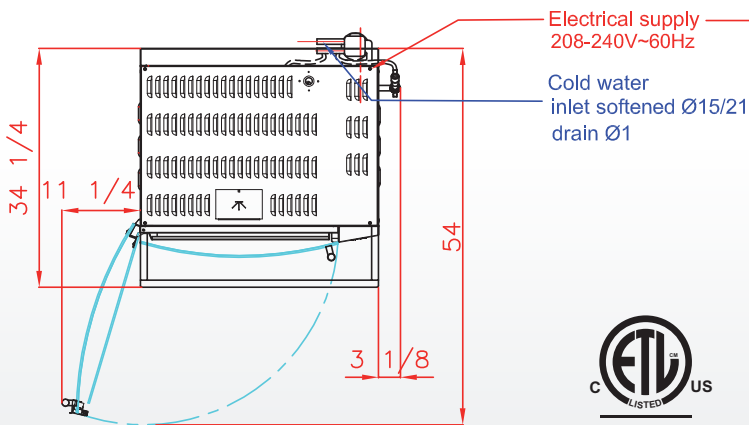
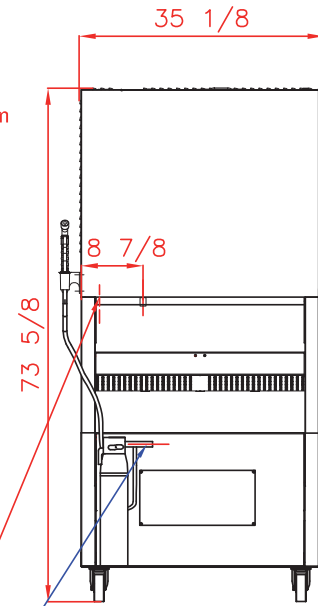
Front view  
Top view



Side view



Rear view



Revised :  
March 2021



5.520i2LSP8

### SPECIFICATIONS

Capacity roasted chickens	15/20 chickens, 5 baskets/spits
Display capacity	20 chickens
Power supply	208-240V-60Hz ; 3 Phases + Ground
Electrical power	35 Amps ; 7,15 kW
Weight and size (HxDxW)	474 Lbs ; 73 5/8 x 34 1/4 x 35 1/8 inches
Shipping weight and size	584 Lbs ; 81 1/8 x 36 5/8 x 36 5/8 inches
Warranty	1 year parts and labor

DISTRIBUTOR / AGENT

Rotisol France, Inc.  
415 W. Walnut St. Gardena, CA 90248  
[info@rotisolusa.com](mailto:info@rotisolusa.com)  
Ph :310 671 7254  
Fax :310 671 8071