



RÔTISSERIE

MINI-CONCEPT STAR-CLEAN

8.720i2LSP8

STAR-CLEAN MINI-CONCEPT

Mini rotisserie concept to save space, energy with assisted cleaning

The MINI-CONCEPT : Optimisation of a space with a self-service display, 2 presentation levels in stainless steel inclined at 10°, with digital display and electronic temperature control, mounted on castors with brakes.

Topped by a programmable roaster convection STAR-CLEAN with baskets or chicken spits, electronic programming time and temperature with digital display and alarm after cooking cycle and then maintaining the temperature at 145 ° F with a program of pre-cooking, six cooking programs with security convex glass and double glass on service side.

Digital Display with programming of cooking parameters (time and temperature)

Pre heat program

6 cooking program

A steam program to facilitate cleaning.



8.720i2LSP8

ACCESSORIES

A variety of accessories are available. See [video](#) of available accessories.

BALSC720
Chicken baskets
standard.



BALRC720AS
Small cuts
baskets.



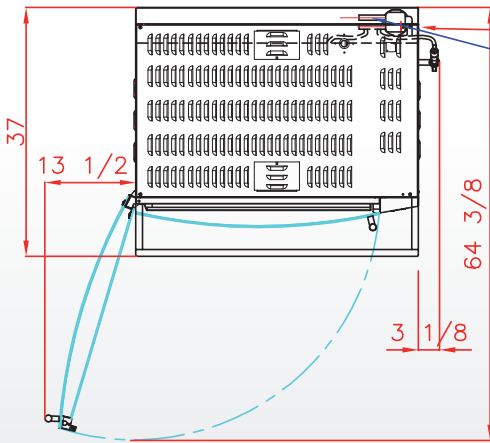
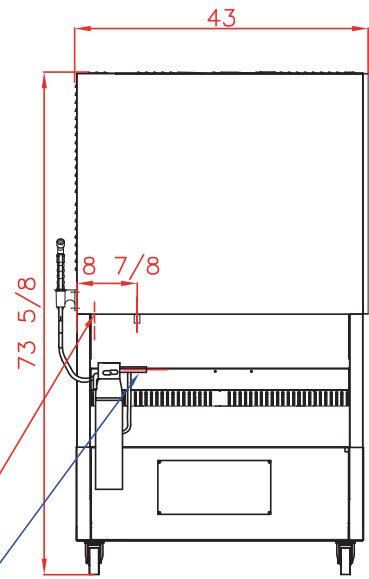
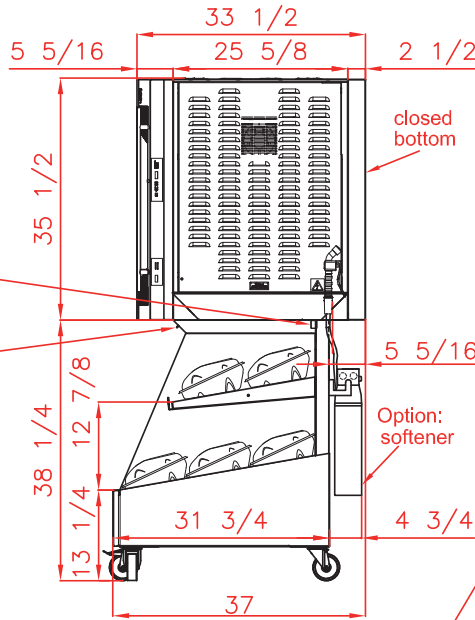
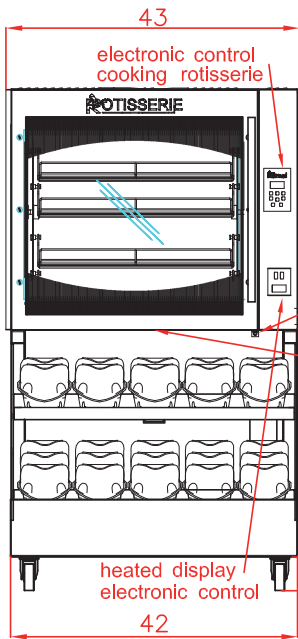
BAB720
Big pieces of meat
spit.



Front view
Top view

Side view

Rear view



Electrical supply
208-240V~60Hz
Cold water
inlet softened Ø15/21
drain Ø1



Revised :
March 2021

SPECIFICATIONS

Capacity roasted chickens	32/40 chickens, 8 baskets/spits
Display capacity	25 chickens
Power supply	208-240V~60Hz ; 3 Phases + Ground
Electrical power	53 Amps ; 11 kW
Weight and size (HxDxW)	618 Lbs ; 73 5/8 x 37 x 43 inches
Shipping weight and size	750 Lbs ; 81 1/8 x 40 5/8 x 44 1/2 inches
Warranty	1 year parts and labor



8.720i2LSP8

DISTRIBUTOR / AGENT

Rotisol France, Inc.
415 W. Walnut St. Gardena, CA 90248
info@rotisolusa.com
Ph :310 671 7254
Fax :310 671 8071